



These instructions are to be left with the User or adjacent to the Gas Meter

# ECONOMAIRE 25/INTEJAN WARM AIR HEATER INSTALLATION, COMMISSIONING & SERVICING INSTRUCTIONS



G.C. Numbers:

Air Heater: 25 42-416-15

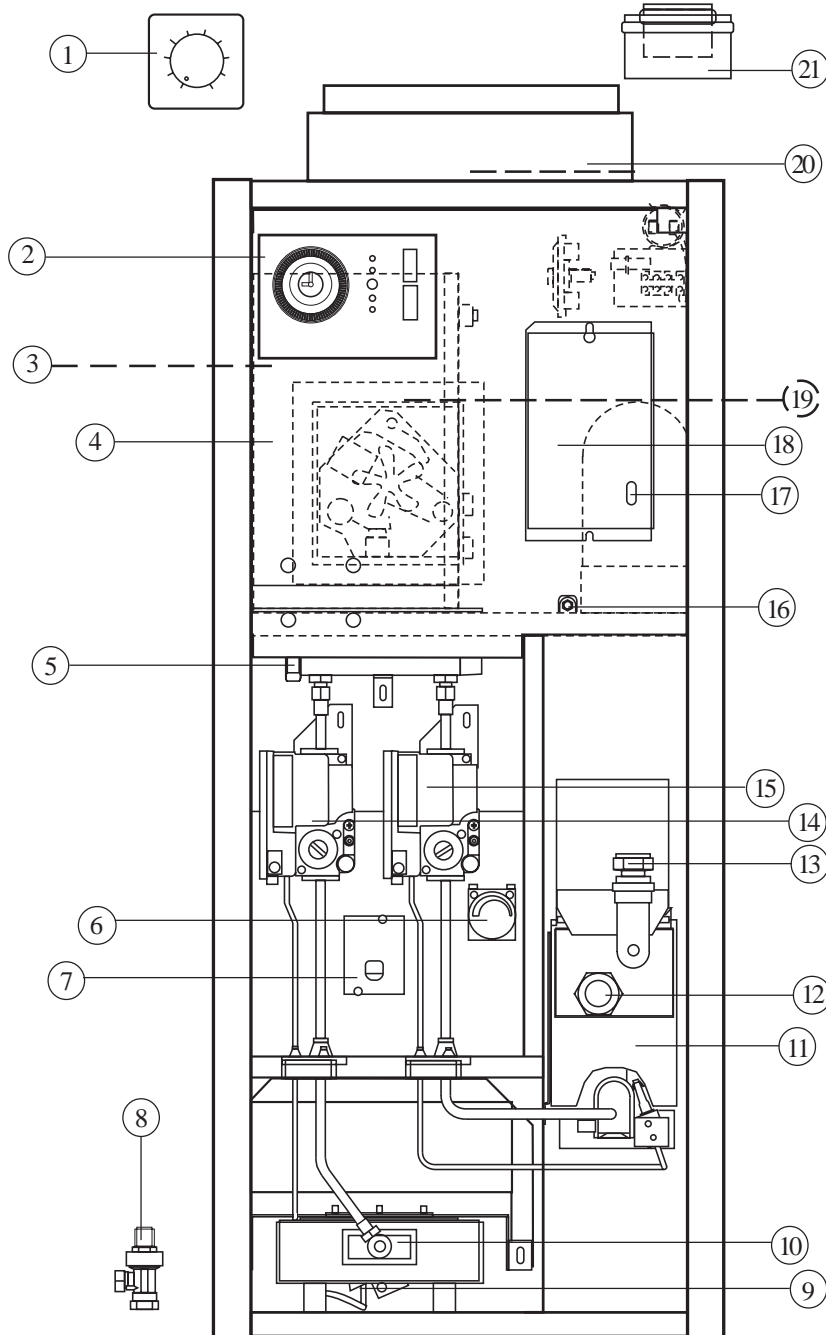
Water Circulator: 53-416-32

Publication No. ZZ 1108/5

February 2008

**ECONOMAIRE 25/INTEJAN has been tested and certified by Advantica Technologies for use with NATURAL gas G20.**

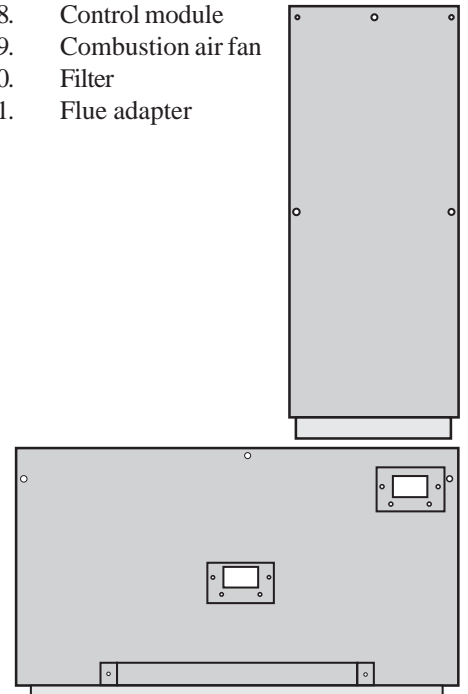
**Note:** These instructions have been written to service both the ECONOMAIRE 25 and the ECONOMAIRE 25 INTEJAN. If your heater does not have the intejan circulator fitted, simply ignore the relevant section/s.



**Fig. 1**

**Heater with Sealing Panel removed**

1. Thermosta-stat
2. Time control
3. Air circulator fan
4. Circuit diagram label
5. Gas connection
6. Circulator thermostat
7. FDC & limit switch
8. Gas cock
9. Ignition burner
10. Main burner assembly
11. Intejan circulator
12. Water return connection
13. Water flow connection
14. Air heater multifunton control
15. Intejan multifunction control (ECONOMAIRE 25 INTEJAN)
16. Flue gas test point
17. LED diagnostics indicator
18. Control module
19. Combustion air fan
20. Filter
21. Flue adapter



**Fig.2**

**Sealing Panel**

## 1. BRIEF DESCRIPTION

- 1.1 The ECONOMAIRE 25/INTEJAN is a fan assisted downflow ducted warm air heater, which is fan flued and room sealed. The heater is supplied with digital temperature control (for maximum comfort) and a water circulator is standard on the 25 INTEJAN. However, an INTEJAN circulator (retro-fit) kit is available for the ECONOMAIRE 25.

- 1.2 The air heater output can be adjusted between 5.6kW (20.0MJ/h, 19,000 Btu/h) and 7.3kW (26.4MJ/h, 25,000 Btu/h) “summer air circulation” of unheated air is available by manual selection (see the user’s instructions). INTEJAN output is 3.5kW (12.6MJ/h; 11,900Btu/h).

Installation shall be in accordance with the current editions of:

- Building Standards (Scotland) (Consolidation) Regulations
- Building Regulations
- Gas Safety (Installation and Use) Regulations (as amended)
- BS 7671 Institute of Electrical Engineers (I.E.E.) Wiring Regulations
- BS 6891 Installation of Low Pressure Gas Pipework of up to 28mm (R1) in domestic premises (2nd family gases).
- BS 5440 Pt. 1 (Flues for Gas Appliances)
- BS 5440 Pt. 2 (Air Supply for Gas Appliances)
- BS 5864 Installation of Gas Fired Ducted Air Heaters
- British System Design Manual “Gas Fired Warm Air Heating”
- Model and Local Authority Bye-laws
- BS 5546 Installation of Domestic Hot Water Supplies.

**IMPORTANT: IT IS A STATUTORY REQUIREMENT THAT ALL GAS APPLIANCES ARE INSTALLED BY COMPETENT PERSONS, (i.e. CORGI REGISTERED INSTALLERS) IN ACCORDANCE WITH THE GAS SAFETY (INSTALLATION AND USE) REGULATIONS (CURRENT EDITION). FAILURE TO COMPLY WITH THESE REGULATIONS MAY LEAD TO PROSECUTION.**

### 1.3 TECHNICAL DATA

|                | ECONOMAIRE 25 | ECONOMAIRE 25 INTEJAN |
|----------------|---------------|-----------------------|
| <b>Weight:</b> | 45 Kg         | 51.5 Kg               |

|  | Air Heater               | Water Circulator |
|--|--------------------------|------------------|
| <b>Gas</b>                                     | G20                      |                  |
| <b>Gas Supply Pressure</b>                     | 20mbar                   |                  |
| <b>Gas Category</b>                            | I 2H                     |                  |
| <b>Countries of Installation</b>               | GB & IE                  |                  |
| <b>Electrical Supply</b>                       | 230 ~ 50Hz fused 5A 165W |                  |
| <b>Nox Class</b>                               | 1                        |                  |
| <b>Max Water Side Operating pressure (PMS)</b> | N/A                      | 1bar             |
| <b>Open Vented System</b>                      | N/A                      | Yes              |
| <b>Sealed System</b>                           | N/A                      | No               |

|   | AIR HEATER                                    |      |        |  |      |        | WATER CIRCULATOR                                |      |        |
|---|---|------|--------|--|------|--------|---|------|--------|
|   | LOW RATE                                      |      |        | HIGH RATE                                      |      |        | KW  | MJ/h | Btu/h  |
|   | KW  | MJ/h | Btu/h  | KW   | MJ/h | Btu/h  |   |      |        |
| <b>INPUT</b>                                  | 7.6   | 27.1 | 25,780 | 9.7  | 35.1 | 33,250 | 4.86  | 17.5 | 16,600 |
| <b>OUTPUT</b>                                 | 5.6   | 20.0 | 19,000 | 7.3  | 26.4 | 25,000 | 3.5   | 12.6 | 11,900 |
| <b>Gas rate cv<br/>1037Btu/ft<sup>3</sup></b> | 0.7m <sup>3</sup> /h (24.9ft <sup>3</sup> /h) |      |        | 0.91m <sup>3</sup> /h (32.1ft <sup>3</sup> /h) |      |        | 0.458m <sup>3</sup> /h (16.2ft <sup>3</sup> /h) |      |        |
| <b>Burner setting pressure (hot)</b>          | 10.0mbar (4.0 in wg)                          |      |        | 17.0mbar (6.8 in wg)                           |      |        | 15.0mbar (6.0 in wg)                            |      |        |
| <b>Main Injector</b>                          | Bray Cat 33/700                               |      |        |  |      |        | Amal 187/001/400                                |      |        |

**2. HEATER COMPARTMENT AND CLEARANCES (SEE BS 5864)**

- 2.1 **IMPORTANT:** If the heater is to be fitted to an existing base duct (warm air plenum), always ensure that installation is carried out such that the rear left hand corner of the heater is aligned with the rear left hand corner of the base duct, so that any overhang or blanking off will be at the front and/or right hand side. In any event, blanking plates must be mechanically secured and all joints sealed.
- 2.2 When the heater is fitted into a compartment, a minimum clearance from the compartment walls of 15mm (1/2 in) at the sides and rear and 25mm (1 in) at the front must be left. Consideration should also be given to the space required for the removal and replacement of the filter tray and the entry of the gas, water and electrical supplies. If gas and /or water connections are made from a side entry, a minimum clearance of 75mm (3 in) is required at that side.
- 2.3 For service access, a minimum of 450mm (18ins) is required at the front of the heater. Space must also be allowed, in a compartment installation, to permit the removal of the heater. The clearance between the appliance and the compartment should be not less than 75mm (3 in). However, if clearances are less than 75mm, the internal surface of the compartment must be lined with non-combustible material and the compartment must be of a fixed rigid structure.
- 2.4 In airing cupboard installations, the part used as the air heater compartment must comply with the relevant section of BS 5864 and must be completely separated by either a non-combustible partition or a perforated metal partition with the perforations not exceeding 13mm (1/2in). The secondary flue must be a tight fit where it passes through the partition and must be suitably protected (see BS 5440: Part 1).
- 2.5 In under-stairs installations, the compartment must comply with the relevant section of BS 5864, provided that in addition all internal surfaces (including the base) are non-combustible or lined with non-combustible material. This requirement is applicable only to dwellings of more than two storeys.
- 2.6 Where the air heater is to be installed onto a combustible surface and under-floor ducting used, a suitable base tray (BT32) **MUST** be used in order to provide insulation. **NB where a base plenum is used no base tray is required!**

**3. VENTILATION AIR**

- 3.1 When installed in a compartment two permanent ventilation openings into the compartment are required, one at high level and one at low level, both communicating either directly with outside air or with a ventilated room or space. The minimum effective areas specified in Table 1 are related to the rated heat input of the air heater and assume that an INTEJAN circulator is fitted.

**4. DUCTSYSTEM**

(See British Design Manual - Gas fired Warm Air Heating)

**4.1 RETURN AIR**

- 4.1.1 Room-sealed appliances may be installed without return air ducting, provided that the path between the return air grille and the appliance return air inlet is protected in such a manner that the required air-flow will be maintained at all times. The return air grille **MUST** have a free area of not less than 645cm<sup>2</sup> (100in<sup>2</sup>). It is recommended that the return air duct not be routed directly from the main living area, but from a convenient central area serving the remainder of the dwelling.
- 4.1.2 The return air system should be constructed of fire-resistant material. The flue shall not be run through an area serving as a return air plenum. It is extremely important that the correct size of return air grilles and ducting is used. For heaters on maximum output the return air duct size should not be less than the equivalent of 200mm x 200mm (8" x 8"). If flexible duct is used the duct diameter should not be less than 300mm (12") dia. The return air grille should have a free area of not less than 645cm<sup>2</sup> (100in<sup>2</sup>).
- 4.1.3 An adequate and unobstructed return air path is essential from areas not served by a directly ducted return and to which warm air is delivered. All such rooms should be fitted with relief grilles which have a free area of 0.0088m<sup>2</sup>/kW (1in<sup>2</sup>/250Btu/h) of heat supplied to the room. The only exceptions are kitchens, bathrooms and WCs.

|                                      |   |
|--------------------------------------|---|
| VENTILATED FROM INSIDE THE BUILDING  | Low level grille 131cm <sup>2</sup> (20.5 in <sup>2</sup> ) |
|                                      | Low level grille 131cm <sup>2</sup> (20.5 in <sup>2</sup> ) |
| VENTILATED FROM OUTSIDE THE BUILDING | High level grille 66cm <sup>2</sup> (10.5 in <sup>2</sup> ) |
|                                      | High level grille 66cm <sup>2</sup> (10.5 in <sup>2</sup> ) |

**Table 1:  
Minimum Effective Areas**

- 4.1.4 The return air duct should allow for ease of removal for access to the flue.
- 4.1.5 All duct work in the room or internal space in which the heater is installed shall be mechanically secured and sealed with ducting tape.

**4.2 WARMDELIVEREDAIR**

- 4.2.1 All duct work, including riser ducts, should be fully insulated with 50mm (2in) fibreglass or similar. If short extended duct runs are taken below floor level these should be similarly insulated and in addition wrapped with a sound vapour proof barrier. They must also be protected from crushing.
- 4.2.2 The duct system should be carefully designed (as given in the guidelines in the British System Design Manual) to suit the needs of specific heating requirements and building layout. The type of duct system (e.g. radial/extended plenum/ stepped) should be installed using the least number of fittings to minimise airflow resistance. The base duct, which equalises the air pressure to supply ducts, must be constructed to support the weight of the heater, which must be sealed using self-adhesive foam strip, ducting tape or sealing compound. All ducting and blanking plates must be mechanically secured and sealed.

**5. INSTALLATION REQUIREMENTS**

**NOTE: THIS APPLIANCE MUST ONLY BE INSTALLED WITH THE SUPPLIED ACCESSORIES AND TERMINAL.**

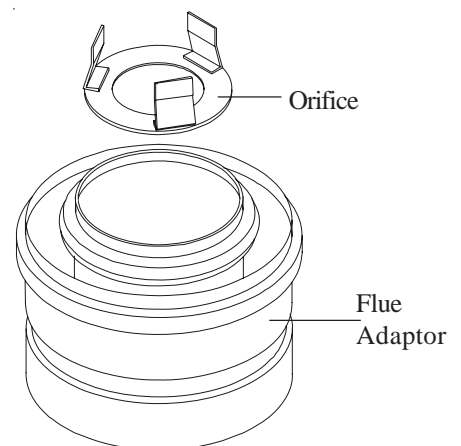
**5.1 FLUES**

The ECONOMAIRE 25/INTEJAN can be used with horizontal or vertical flue types C12 and C32. You should also consult (or be familiar with) British Standards BS 5440 Pt. 1 Flues

- 5.1.1 All joints must be soundly sealed.
- 5.1.2 Sufficient support brackets must be used in order to support the total weight of the flue system.
- 5.1.3 The flue must conform with Building Regulations and British Gas Materials and Installations specification (3<sup>rd</sup> edition) regarding clearance and shielding from combustible materials.
- 5.1.4 The horizontal flue length **MUST NOT** be less than 300mm plus 90° bend and **MUST NOT** exceed 12m excluding terminal.
- 5.1.5 The total vertical flue length **MUST NOT** be less than 1m and **MUST NOT** exceed 12m excluding terminal.
- 5.1.6 Total length refers to the equivalent worked flue length and therefore includes bends and **NOT** the distance from the heater to the flue terminal.
- 5.1.7 When calculating total flue length, reference **MUST** be made to the following ‘equivalent lengths’:
  - A) 90° bend = 2m      B) 45° bend = 1m
- 5.1.8 The maximum number of 90° bends that can be used is:
  - A) Horizontal = 2      B) Vertical = 3
- 5.1.9 If a ‘short flue’ is used, the factory fitted flue orifice **MUST** be left in place (see Fig.3).
- 5.1.10 ‘short flue’ refers to a total flue length not exceeding:
  - A) Horizontal (plus 90° bend) = 0.8m      B) Vertical (including terminal) = 5m
- 5.1.11 Where the total flue length exceeds these lengths, the flue orifice **MUST** be removed.
- 5.1.11 The heater is supplied with either a horizontal or vertical flue, dependant upon your specification when ordering. Reference should be made to Table 2 for extra flue/terminal components.

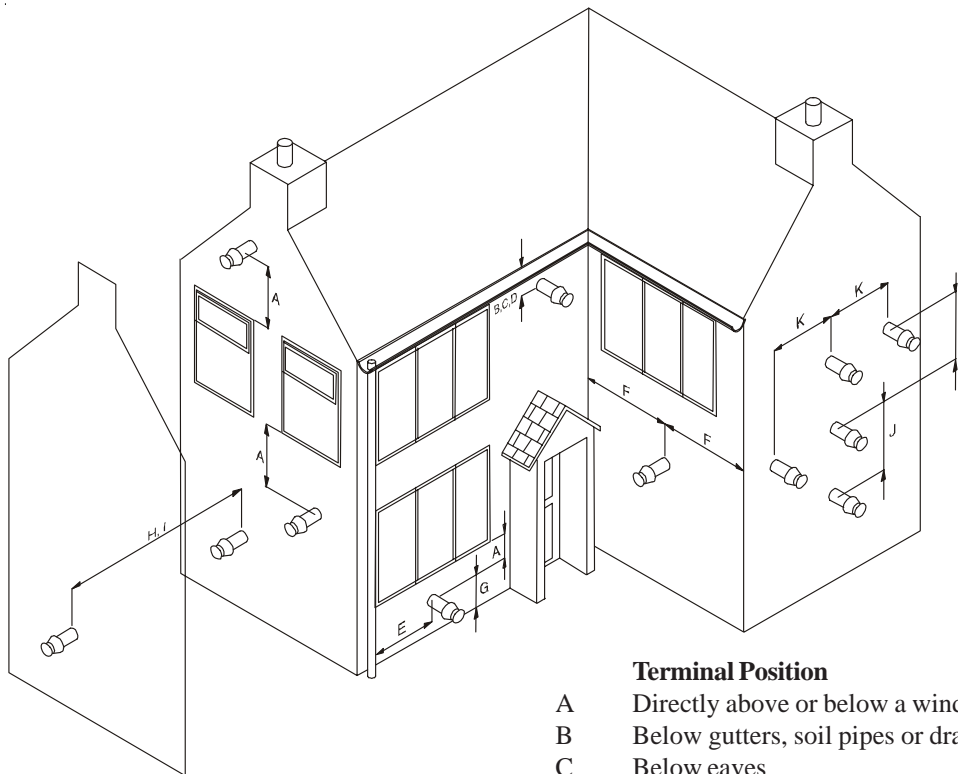
**5.2 HORIZONTAL TERMINAL LOCATION:**

- 5.2.1 The terminal must be positioned on the outside of the building and allow for the free passage of air across it at ALL times.
- 5.2.2 Avoid positions where the terminal is adjacent to projections, particularly under a balcony or immediately adjacent to a drain pipe.
- 5.2.3 The terminal position must ensure that combustion products cannot enter the building in which the heater is installed (or any adjacent building) through windows, doors or by any others means.
- 5.2.4 Fig. 4 shows recommended terminal positions



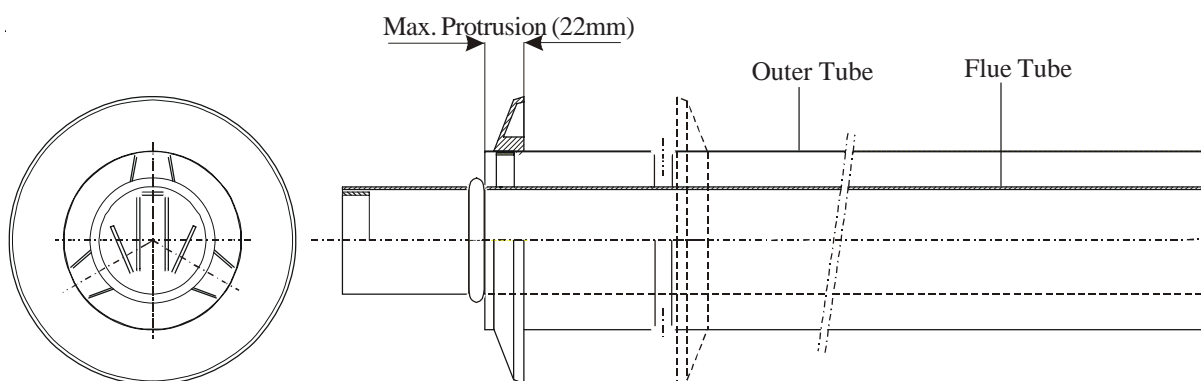
**Fig. 3  
Flue Adaptor and Orifice**

- 5.2.5 It is recommended that the flue is fitted so that the outer part is flush with the wall. However, where this is not the through the wall **MUST NOT** exceed 22mm (see Fig. 5)
- 5.2.5 If the heater is to be installed in a timber framed building you **MUST** consult British Gas publication “Guide for Gas Installations in Timber Framed Housing DM2” or your local gas region.
- 5.2.6 Where the lowest part of the flue terminal is located less than 2 metres above the ground, a balcony, or above a flat roof across which there is access, the terminal **MUST** be fitted with a Tower Flue Components type K3 guard (or similar) such that the distance between the guard and the nearest part of the terminal is no less than 50mm.
- 5.2.7 Reference should be made to Table 2 for required terminal components and guard.
- 5.2.8 **NOTE: TO ENSURE THAT RAINWATER CANNOT ENTER THE HEATER UNIT, THE FLUE MUST BE INSTALLED WITH A SLIGHT FALL AWAY FROM THE HEATER.**



| Terminal Position | Min Distance                                      |        |
|-------------------|---|--------|
| A                 | Directly above or below a window or other opening | 300mm  |
| B                 | Below gutters, soil pipes or drain pipes          | 75mm   |
| C                 | Below eaves                                       | 200mm  |
| D                 | Below balcony                                     | 200mm  |
| E                 | From vertical drain/soil pipes                    | 150mm  |
| F                 | From internal or external corners                 | 300mm  |
| G                 | Above ground or balcony level                     | 300mm  |
| H                 | From a surface facing terminal                    | 600mm  |
| I                 | From a terminal facing a terminal                 | 1200mm |
| J                 | Vertically from a terminal on the same wall       | 1500mm |
| K                 | Horizontally from a terminal on the same wall     | 300mm  |

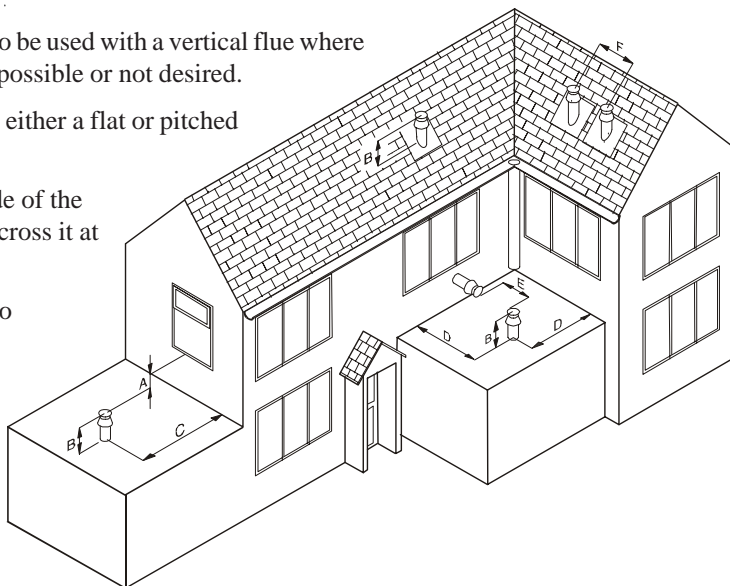
**Fig.4**  
Recommended (Horizontal) Terminal Positions



**Fig. 5**  
Horizontal Flue Terminal (Showing Maximum Protrusion)

### 5.3 VERTICAL TERMINAL LOCATION:

- 5.3.1 The ECONOMAIRE 25/INTEJAN is designed to be used with a vertical flue where the installation of a horizontal flue is either not possible or not desired.
- 5.3.2 Installation of a vertical flue can be achieved on either a flat or pitched roof with a pitch angle of between 25° and 50°.
- 5.3.3 The terminal **MUST** be positioned on the outside of the building and allow for the free passage of air across it at **ALL** times.
- 5.3.4 Avoid positions where the terminal is adjacent to projections; particularly under a balcony.
- 5.3.5 The terminal position must ensure that combustion products cannot enter the building in which the heater is installed (or any adjacent building) through windows, doors or by any other means.
- 5.3.6 Fig. 6 shows recommended terminal positions.
- 5.3.7 Reference should be made to Table 2 for the required terminal components.



|   | <b>Terminal Position</b>                 | <b>Min Distance</b>          |
|---|--|------------------------------|
| A | Directly below a window or other opening | 300mm                        |
| B | Above roof level (to base of terminal)   | 300mm                        |
| C | From adjacent wall to flue               | 300mm                        |
| D | From internal corner to flue             | 400mm                        |
| E | From facing terminal                     | 1200mm                       |
| F | Between terminals                        | 300mm                        |
| G | Below eaves or balcony                   | 200mm ( BUT NOT RECOMMENDED) |

**Fig. 6**  
**Recommended (Vertical) Terminal Positions**

| <b>PART No</b> | <b>CONTENTS</b>                                  | <b>COLOUR</b> |
|----------------|--|---------------|
| 1000-0014840   | 1 X 90° Standard Flue Elbow                      | White         |
| 1000-0014850   | 1 X 45° Flue Elbows                              | White         |
| 1000-0014870   | 1 X 500mm Extension                              | White         |
| 1000-0014860   | 1 X 1000mm Extension                             | White         |
| 1000-0014880   | 1 X Vertical Terminal and 1 X Support Bracket    | Anthracite    |
| 1000-0014980   | 1 X Vertical Terminal and 1X Support Bracket     | Terracotta    |
| 1000-0014890   | 1 X Lead Pitched Roof Flashing and 1X Collar     | Anthracite    |
| 1000-0014990   | 1 X Lead Pitched Roof Flashing and 1X Collar     | Terracotta    |
| 1000-0014900   | 1 X Aluminium Flat Roof Flashing                 | Aluminium     |
| 1000-0014910   | 1 X Horizontal Wall Terminal                     | White         |
| 1000-0014920   | 2 X Wall Plates (for above)                      | N/A           |
| 1000-0014930   | 1 X Horizontal Wall Terminal and 2 X Wall Plates | N/A           |
| 1000-0014940   | 1 X Condensation Drain                           | White         |
| 1000-0014950   | 1 X Syphon Kit (for above)                       | N/A           |
| 1000-0014960   | 1 X Condensation Drain and 1 X Syphon Kit        | N/A           |
| 1000-0014970   | 1 X Wall Bracket (100mm dia)                     | N/A           |
| 1000-0015430   | 1 X Terminal Guard                               | N/A           |

**Table 2.**  
**Flue and Terminal Components**



## 5.4 ELECTRICAL

### WARNING: THIS APPLIANCE MUST BE EARTHED!

#### 5.4.1 Mains.

- a. The heater is supplied with mains cable (PVC sheathed, heat resisting to 85°C), 3 core: Brown; Blue; Green/Yellow, 6A, 0.75mm<sup>2</sup>), connected to a terminal block and exiting through the heater at the right hand top. The cable is suitable for a 230V 50Hz supply and requires connection to the fixed wiring using a double pole switched, fused spur with a contact separation of at least 3mm in ALL poles. The fuse fitted must be rated 5A to BS 1362. Connections must also be in accordance with the current edition of I.E.E Regulations BS 7671.

**NOTE:** If, for any reason, the heater is re-wired, then 3 core cable that meets the above specification **MUST** be used. Under **NO** circumstances, should 5 core cable be used for the combined purpose of supplying power to the heater and connecting the thermista-stat!

- b. Fan delay and overheat (limit controls) are not adjustable and are factory set so that the limit switch opens at 93°C and closes at 76°C.
- c. An electronic controller (thermista-stat) is supplied which acts like a room thermostat.

#### 5.4.2 Thermista-stat and its location.

- a. The thermista-stat should be located where there is free air circulation and positioned approx. 1.5m (5ft) from the floor.
- b. Avoid the following locations:
  - i. In a room where temperature is greatly affected by the sun or any other heat source, e.g. radiant fire, wall light fittings or TV set.
  - ii. Near an outside door or windows, or on an outside wall.
  - iii. Where it will be affected by warm air ducts, diffusers, waste pipes or the heater itself.
  - iv. Where it will be subjected to vibration.
- c. Connect the thermista-stat wires to terminals '8' and '9' on the terminal block (see Figs. 13 & 14).

## 5.5 GAS (See BS 5864 and BS 6891)

- 5.5.1 The local gas supply conditions **MUST** be adequate for the specified burner pressures as stated in the technical specification (para. 1.3)
- 5.5.2 An independent gas supply pipe from the meter is to be preferred wherever possible. Where this is not possible, the pipe must be capable of taking the complete input of the heater and all other gas appliances being served by the same pipe. This supply should be suitably sized to conform to British Standards requirements of no more than 1.0 mbar (0.4in wg) pressure drop (See table of discharge in BS 6891).
- 5.5.3 The 1/2in union gas cock (supplied) **MUST** be fitted to the gas inlet of the heater for easy isolation during servicing. The gas pipe should be fitted and installed so as to be durable, substantial and gas tight. To assist in determining where a gas connection may not be tight, a leak detection fluid should be applied around the connection. Under no circumstances should a flame be used to locate a gas leak. Gas entry to the air heater is through either side to a Rc1/2 (1/2in BSP. external [taper] thread).

## 6. AIR HEATER COMMISSIONING

### 6.1 PREPARATION:

After installation of the appliance, you **MUST** do the following:

- 6.1.1 Test for gas leakage using proprietary detection fluid and seal any leaks found.
- 6.1.2 Carry out preliminary electrical system checks.
- 6.1.3 Ensure that:
  - a. filter, fan and fan compartments are free from obstructions.
  - b. all registers or grilles are open and conform to design specifications.
  - c. return, relief and ventilation air installations are adequate.

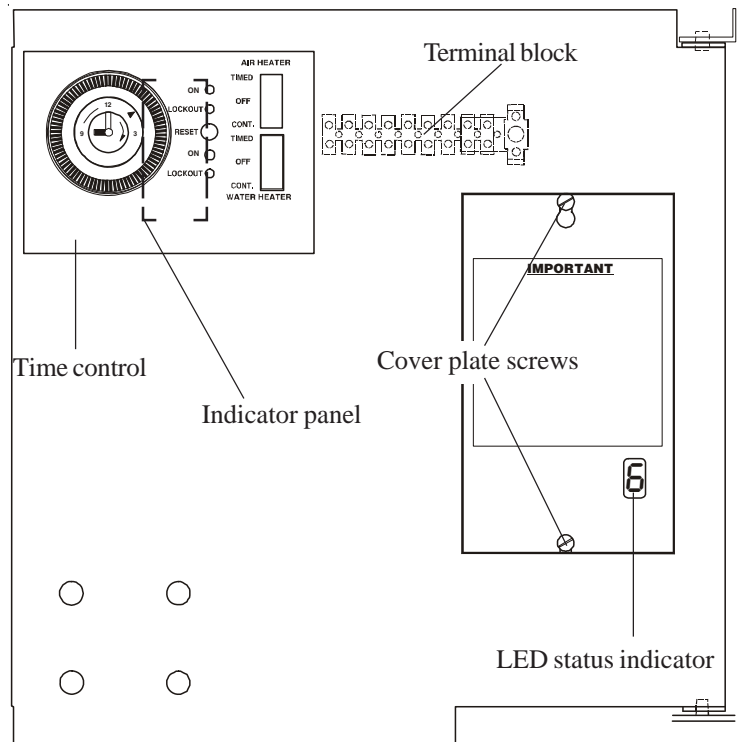
### 6.2 SYSTEM BALANCING:

- 6.2.1 Set the air heater electrical supply **ON**.
- 6.2.2 Set the thermista-stat to the "SUMMER AIRFLOW" position.
- 6.2.3 Balance the system to provide the required volume proportions at the warm air outlets.

**Note:** If the system includes ceiling diffusers, the air through these should be NOT LESS THAN 1.5m/s (300ft/min), except for very small rooms, (i.e. bathrooms etc.). Outlet faces may require partial blanking in order to achieve this.

### 6.3 LIGHTING IGNITION AND MAIN BURNER:

- 6.3.1 Turn on the gas supply to the heater.
- 6.3.2 Set both the "AIR HEATER" and "WATER HEATER" switches on the time control unit to the "OFF" position.
- 6.2.3 Set the thermista-stat to "9".
- 6.3.4 Locate the LED status indicator which can be observed through the inspection hole at the bottom right hand corner of the control module.
- 6.3.5 Turn on the mains power supply to the heater
- 6.3.6 Set the "AIR HEATER" switch on the time control to "CONT." and observe the LED status indicator.
- 6.3.7 Whilst the control module runs through its diagnostic cycle the decimal point (DP) in the bottom right hand corner of the LED display will flash continuously.
- 6.3.8 The igniter will spark for a maximum period of 60 seconds during which time the ignition and main burners SHOULD ignite and the igniter will stop.
- 6.3.9 When the control module reaches stage 5, (indicated by "5" on the LED) power is fed to the gas valve and the green LED "ON" light on the indicator panel will illuminate. After a period of approx. 5 seconds, the module will move on to stage 6 (indicated by "6" on the LED).  
**NOTE: regardless of when the burner ignites during the 60 second period, the LED will continue to display stage 6.**
- 6.3.10 If, after the 60 second period, the main burner has ignited the LED indicator will show "0" and the green LED "ON" light on the indicator panel will remain steady.
- 6.3.11 If the main burner fails to ignite, the red LED marked "LOCKOUT" will illuminate on the display panel and the LED status indicator will display an alphanumeric character relevant the the fault detected.
- 6.3.12 In the event of a lockout and the ignition and main burners failing to ignite, reference should be made to table 4 in the fault finding section of these instructions in order to establish the fault condition.
- 6.3.13 Allow the air heater to operate for a minimum of 15 minutes to ensure stability.
- 6.3.14 Reset the thermista-stat to the desired comfort level.
- 6.3.15 Set the time control to the desired "on" and "off" periods.
- 6.3.17 Set the "AIR HEATER" switch on the time control to "TIMED".



**Fig. 7**  
**Electrical Door Assembly**

### 6.4 MAIN BURNER PRESSURE TEST:

**NOTE:** AIR HEATER BURNERS ARE FACTORY SET TO PROVIDE A NOMINAL HIGH RATE OUTPUT AS DETAILED IN SUB PARA 1.2

- 6.4.1 Loosen the screw on the outlet pressure test point and fit a pressure test gauge (see Fig. 8)
- 6.4.2 Check the gauge reading against the information at paragraph 1.3.
- 6.4.3 If necessary, use the burner pressure adjuster to obtain required gauge reading in accordance with paragraph 1.3.
- 6.4.4 Remove the pressure gauge and re-tighten screw on the outlet pressure test point.

### 6.5 AUTOMATIC CONTROLS CHECK

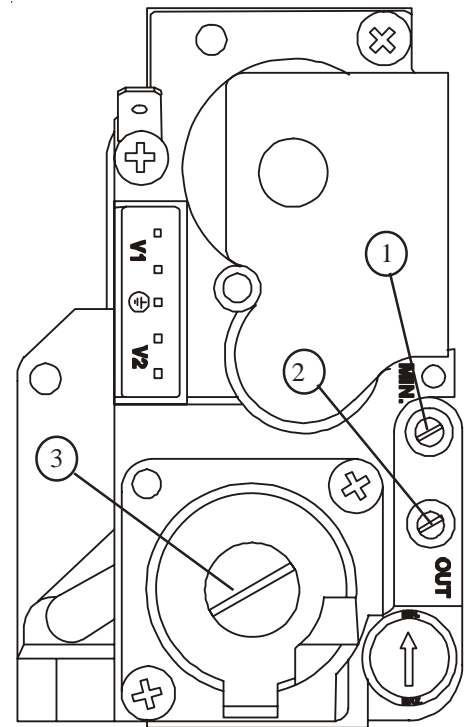
- 6.5.1 Light the ignition and main burners as detailed in 6.3 above.
- 6.5.2 Allow the heater to operate for 15 minutes to ensure stability.
- 6.5.3 After a short period, ensure that the fan increases to full speed.
- 6.5.4 When the temperature reaches the control setting, check that the main burner cycles ON and OFF at intervals of approx. 75 to 120 seconds.



## 6.6 SAFETY CHECK:

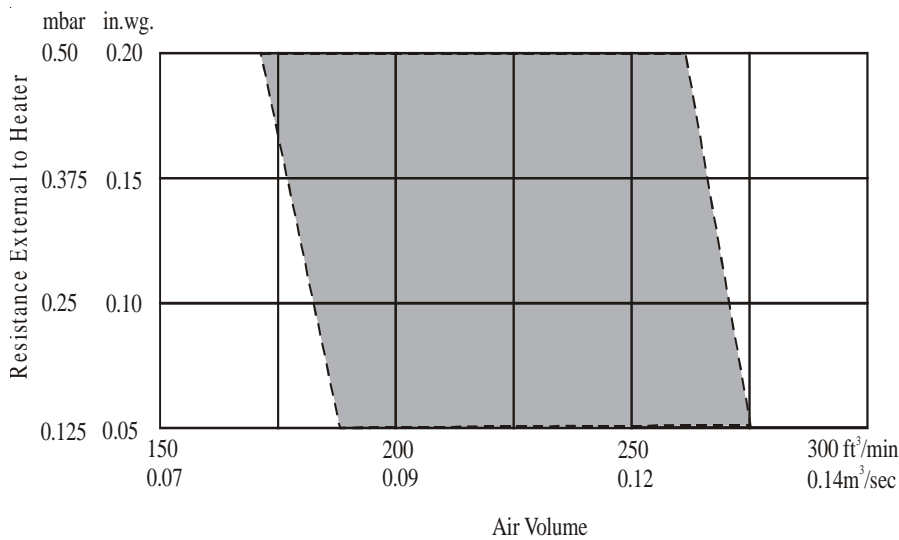
In order to check the correct operation of the control module, run the heater for a short period and introduce a fault condition by carrying out the following sequence:

- 6.6.1 Check for gas soundness within the appliance.
- 6.6.3 Turn on both the gas and electrical supplies to the heater.
- 6.6.4 Set the "AIR HEATER" switch on the time control unit to "CONT".
- 6.6.5 Light the ignition and main burners as described in section 6.3
- 6.6.6 Allow the heater to run for a period of 5 minutes to stabilise.
- 6.6.7 Turn off gas supply to heater at the heater Gas Cock. **DO NOT TURN OFF AT GAS METER!**
- 6.6.8 Having detected the fault condition, the module should cause the red LED on the indicator panel to flash and the module will go through the ignition sequence. Having detected the fault condition a second time, the control module should cause the heater to go into lockout, indicated by a constant red LED and the LED status indicator will show "6"
- 6.6.9 Reinststate gas supply and wait for a minimum period of 10 seconds.
- 6.6.10 Depress the "RESET" button on the Indicator Panel.
- 6.6.11 The heater will go through its ignition procedure and the ignition and main burners **SHOULD** ignite.
- 6.6.12 Set the "AIR HEATER" switch on the time control unit to "TIMED"



1. Inlet Pressure Test Point.
2. Outlet Pressure Test Point.
3. Burner Pressure Adjuster.

**Fig. 8**  
**Multifunction Control**  
(With Ignition Controller removed).

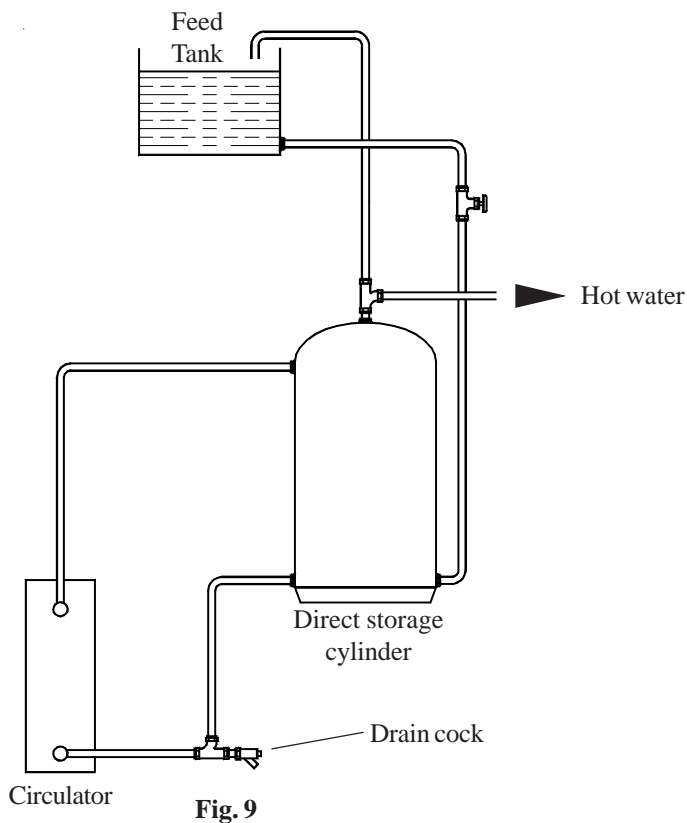


**Fan Performance Curve**

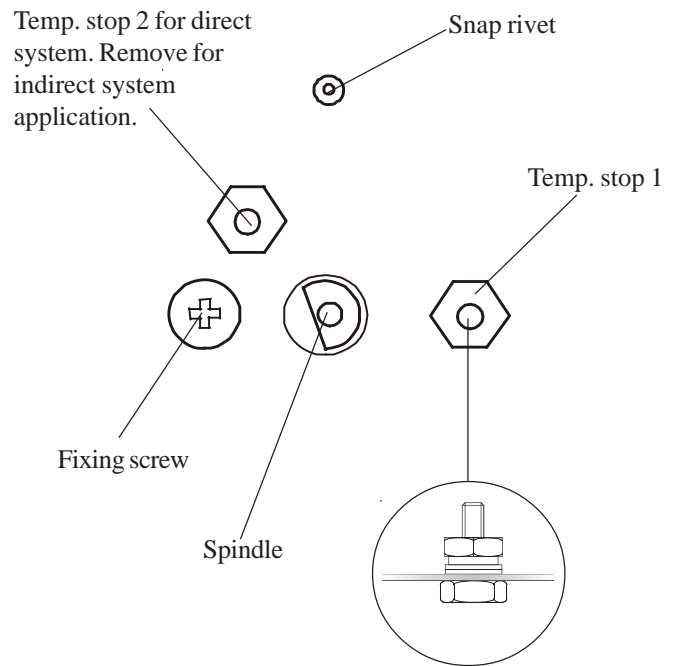
## 7.

### INTEJAN CIRCULATOR

- 7.1 **WATER CIRCULATION SYSTEM.** Detailed recommendations for the water circulation system are given in BS6798, BS5449 (for small bore and microbore central heating systems), and BS5446. The maximum water side operating pressure (PMS) is 1bar.
  - 7.1.1 To ensure good circulation in gravity circuits, flow pipes should be designed to run vertically from the water heater before running laterally. Any lateral run should be less than 2 x the previous vertical run. Pipework should be installed with a rise towards the vent point. In systems with poor circulation, a pump kit is also available.
  - 7.1.2 Drain cocks must be located in accessible positions that permit the draining of the whole system, including the appliance and hot water storage vessel. A drain cock should be fitted at the lowest point of the water heating circuit and, in the case of an indirect system, another must be fitted at the lowest point of the cold feed. Drain cocks should be at least 1/2 in nominal size and be in accordance with BS2879.
  - 7.1.3 Economy valves can only be used in a DIRECT installation.



**Fig. 9**  
Typical INTEJAN direct system application.



**Fig. 9a**  
Position of temperature stops

**NOTE:** The circulator thermostat is factory set to provide a temperature range of 50°C to 82°C. The temperature is increased by rotating the thermostat knob clockwise and temperature stop 2 **MUST** be left in position (see fig. 9a) if the circulator is used in a direct application, ensuring a maximum temperature of 60°C. For indirect applications, remove temperature stop 2.

In order to ensure that soundness of the heater is maintained, you **MUST** ensure that flow and return pipes into the sealed compartment are sealed with the supplied grommets!

## 7.2 WATER CONNECTIONS:

**Note:** Both flow and return connections are Rp<sup>3/4</sup> (3/4 in BSP female) connections.

**IMPORTANT:** Use compression fittings at the appliance flow and return connections and at the air heater casing exit, to facilitate easy access to the circulator body.

- 7.2.1 Remove the fixing screws holding the sealing panel in place.
- 7.2.2 Carefully remove the sealing panel, such that access can be gained to the circulator compartment.
- 7.2.3 **Side Exit:** Knockouts/holes are provided in both sides of the heater cabinet for external pipe routing. Horizontal pipe runs are to be kept to an absolute minimum.
- 7.2.4 **Top Exit:**
  - A) Remove the plastic plugs from the air heater top panel and the fan chamber floor.
  - B) Pass the flow and return pipes (flow pipe to the rear) from below and then locate the pipes with the circulator body connections. Fully tighten the connections to the main body before completing the connections to the top ends of the Flow and Return pipes, ensuring that the pipework does not restrict access to the circulator thermostat phial pocket or the air heater heat exchanger access panel.

**NOTE:** In order to maintain an air tight seal, the supplied grommets **MUST** be used where the flow and return pipes pass through the upper sealing plate and diaphragm.

**IMPORTANT:** Ensure that the fittings on the circulator body are well supported when making flow and return connections.

- 7.2.5 Using good quality duct tape, seal around the Flow and Return pipes where they pass through the air heater top panel and fan chamber floor.

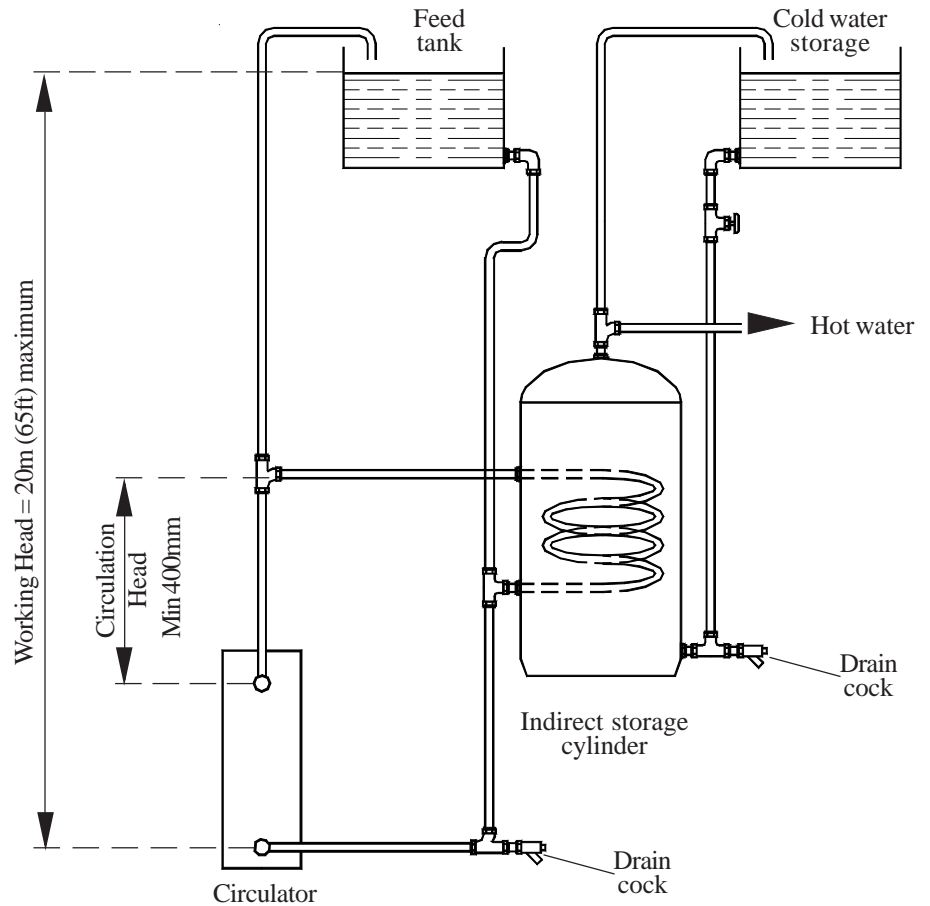
**8.1 PREPARATION:**

- 8.1.1 Ensure that the gas and electrical supplies are **OFF**.
- 8.1.2 Fill the water circulation system, clear any air locks and check for water soundness, sealing any leaks detected.
- 8.1.3 Refit the sealing panel and secure using the fixing screws.

**NOTE:** Whilst the sealing panel needs to be fixed in such a manner so as to ensure an air tight seal, care **MUST** be taken not to over tighten the fixing screws.

**8.2 LIGHTING IGNITION AND MAIN BURNERS:**

- 8.2.1 Turn on the gas supply to the heater.
- 8.2.2 Set both the "AIR HEATER" and "WATER HEATER" switches on the time control unit to the "OFF" position.
- 8.2.3 Set the thermostat so that it reaches the maximum stop.
- 8.2.4 Locate the LED status indicator which can be observed through the inspection hole at the bottom right hand corner of the control module.
- 8.2.5 Turn on the mains power supply to the heater
- 8.2.6 Set the "WATER HEATER" switch on the time control to "CONT." and observe the LED status indicator.
- 8.2.7 Whilst the control module runs through its diagnostic cycle the decimal point (DP) in the bottom right hand corner of the LED display will flash continuously.



**Fig. 10**  
**Typical INTEJAN indirect system application.**

- 8.2.8 The igniter will spark for a maximum period of 60 seconds during which time the ignition burner and main burner **SHOULD** ignite and the igniter will stop.
- 8.2.9 When the control module reaches stage 8, (indicated by "8" on the LED) power is fed to the gas valve and the green LED "ON" light on the indicator panel will illuminate. After a period of approx. 5 seconds, the module will move on to stage 9 (indicated by "9" on the LED). **NOTE: regardless of when the burner ignites during the 60 second period, the LED will continue to display stage 9.**
- 8.2.10 If, after the 60 second period, the main burner has ignited the LED indicator will show "0" and the green LED "ON" light on the indicator panel will remain steady.
- 8.2.11 If the main burner fails to ignite, the red LED marked "LOCKOUT" will illuminate on the display panel and the LED status indicator will display an alphanumeric character relevant to the fault detected.
- 8.2.12 In the event of a lockout and the ignition and main burners failing to ignite, reference should be made to table 4 in the fault finding section of these instructions in order to establish the fault condition.
- 8.2.13 Test for gas leakage at the supply, multifunction control, ignition burner and main burner using proprietary detection fluid, sealing any leaks found.
- 8.2.14 Allow the circulator to operate for a minimum of 15 minutes to ensure stability.
- 8.2.15 Reset the thermostat to the desired water temperature.

- 8.2.16 Set the time control to the desired “on” and “off” periods.
- 8.2.17 Set the “WATER HEATER” switch on the time control to “TIMED”.

### 8.3 WATER BURNER PRESSURE TEST:

NOTE: THE WATER CIRCULATOR BURNERS ARE PRE-SET AND SHOULD NOT REQUIRE ADJUSTING

- 8.3.1 Loosen the screw on the outlet pressure test point and fit a pressure test gauge (see Fig. 8)
- 8.3.2 Check the gauge reading against the information at paragraph 1.3.
- 8.3.3 If necessary, use the burner pressure adjuster to obtain the required gauge reading as shown at paragraph 1.3
- 8.3.4 Remove the pressure gauge and re-tighten the screw on the outlet pressure test point.

### 8.4 SAFETY CHECKS:

- 8.4.1 Check for gas soundness within the appliance.
- 8.4.2 Check for water soundness around circulator and ALL joints.
- 8.4.3 Turn on both the gas and electrical supplies to the heater.
- 8.4.4 Set the “WATER HEATER” switch on the time control unit to “CONT”.
- 8.4.5 Light the ignition and main burners as described in section 8.2
- 8.4.6 Allow the circulator to operate for a period of 5 minutes to stabilise.
- 8.4.7 Turn off gas supply to heater at the heater gas cock. DO NOT TURN OFF AT GAS METER!
- 8.4.8 The circulator SHOULD automatically go into “LOCKOUT” indicated by the red LED on the indicator panel and the LED status indicator will show “H”
- 8.4.9 Reinststate the gas supply and wait for a minimum period of 10 seconds.
- 8.4.10 Depress the “RESET” button on the indicator panel.
- 8.4.11 The heater will go through its ignition procedure and the ignition and main burners SHOULD ignite.
- 8.4.12 Set the “WATER HEATER” switch on the time control unit to “TIMED”

## 9. INSTRUCTIONS FOR USERS

- 9.1 If the building is unoccupied, ensure that the user instructions are left taped to the air heater for the the user’s reference and that the installation instructions are left at or near the air heater for use on future service calls.
- 9.2 If the building is occupied, hand the user instructions over and ensure that the user understands:
  - 9.2.1 How to light both the air heater and water circulator.
  - 9.2.2 How to re-set the air heater or water circulator if “LOCKOUT” occurs.
  - 9.2.3 How to operate the time control, thermista-stat and the SUMMER AIRFLOW switch.
  - 9.2.4 That the time control must be reset following a power failure.
  - 9.2.5 How to use the circulator thermostat to set the water temperature.
  - 9.2.6 How to turn off the heater and switch off the electrical supply to the heater.
  - 9.2.7 How to remove, clean and refit the air filter and at what intervals, (i.e. fortnightly, or weekly for new houses).
  - 9.2.8 How to control the heating system by opening and closing warm air outlets.
  - 9.2.9 How to obtain summer air circulation.
  - 9.2.10 That the air grilles on the heater or heater compartment; grilles and ventilators in the walls, windows or doors of the building MUST NOT BE OBSTRUCTED.**
  - 9.2.11 That the heater must be serviced at least once a year by a competent person to ensure efficient and safe operation.
  - 9.2.12 That the red instructions for safe use have been pointed out and understood.
  - 9.2.13 That expert help must be obtained if persistent “LOCKOUT” occurs.**

## 10. MAINTENANCE

NOTE: It is recommended that this appliance be serviced at intervals of no less than 12 months.

**IMPORTANT: Ensure that the gas and electricity supplies are isolated before commencing any maintenance or replacement of components. Because the appliance is room sealed, it is also imperative that if at any stage of repairs the gasket on the sealing plate is damaged it MUST be replaced! After completion of any maintenance, always test for gas soundness and carry out a complete functional test of the appliance in accordance with the Commissioning Instructions at paragraphs 6.1 to 6.9 inclusive.**

## **10.1 ROUTINE MAINTENANCE:**

- 10.1.1 Operate the appliance and check for the correct function of the burner and controls.
- 10.1.2 Turn OFF the gas and electrical supplies to the appliance.
- 10.1.3 Remove the air heater front panel.
- 10.1.4 Remove and check the return air filter/cleaner for cleanliness, remove and clean the air circulation fan as detailed in para 10.6.
- 10.1.5 Remove the burner and controls assembly as detailed in para 10.2, inspect and clean the main burner and injector as necessary. Examine the main burner for cracks, including hairline cracks, exchanging the burner as necessary.
- 10.1.6 Inspect and clear the ignition burner orifice.
- 10.1.7 Clean the heat exchanger flueways by thoroughly brushing from above and below.
- 10.1.8 By viewing through the fan aperture, and using a torch or similar, examine the heat exchanger externally for signs of cracks or holes, particularly around welded joints.
- 10.1.9 Using a torch or similar, introduce a light source into the heat exchanger burner aperture and upper access port, and again examine the heat exchanger for signs of cracks or holes, particularly around welded joints, whilst again viewing through the fan aperture.
- 10.1.10 Refit the air circulation fan, burner and controls assembly, and air filter/air cleaner.
- 10.1.11 Allow the air heater to operate for approximately 15 minutes to ensure stability and, with the main burner lit, ensure that the operation of the air circulation fan does not affect the main burner flame profile.
- 10.1.12 Locate the flue gas test point (see fig.1) and attach a flue gas analyser to the test point in accordance with the manufacturer's instructions. **NOTE:** the CO/CO<sub>2</sub> ratio should be no greater than 0.008
- 10.1.13 Fully commission the appliance in accordance with paragraphs 6 and 8.

**NOTE:** The flue gas test MUST NOT be used as an alternative to servicing the heater!

## **10.2 MULTIFUNCTION CONTROL AND AIR HEATER/WATER CIRCULATOR BURNER ASSEMBLY REMOVAL:**

**NOTE:** Both the air heater and water circulator burner assemblies, as well as their respective ignition burner assemblies, MUST be removed as a complete unit together with their respective multifunction control.

### **PROCEDURE:**

- 10.2.1 Ensure that the gas and electrical supplies are switched OFF.
- 10.2.2 Remove the front door from the heater.
- 10.2.3 Remove the fixing screws that hold the sealing panel in place and carefully remove the panel.
- 10.2.4 Disconnect the electronic module from the relevant multifunction control by removing the securing bolt and sliding it away from the heater unit, taking care not to cause damage.
- 10.2.5 Break the flared connection on the relevant multifunction control from the gas supply feed.
- 10.2.6 Remove the relevant burner assembly fixing screws.
- 10.2.7 Whilst supporting the assembly, carefully remove the fixing screws securing the multifunction control.
- 10.2.8 Carefully remove the complete assembly, by sliding the sealing grommet out of the bulkhead, taking care not to cause damage to the grommet!
- 10.2.9 Refitting the burner assembly is a reverse procedure of the above instructions.

## **10.3 BURNER ASSEMBLY CLEANING:**

- 10.3.1 Remove the burner assembly as detailed above.
- 10.3.2 Disconnect the ignition burner gas feed pipe from the ignition burner
- 10.3.3 Release the single screw, nut and washer securing the ignition burner to the main burner and remove the ignition burner.
- 10.3.4 Release the 2 screws, nuts and washers securing the main burner to the mounting bracket and remove the main burner.
- 10.3.5 Clean the burner thoroughly both inside and out with a soft brush. **DO NOT ENLARGE, DISTORT OR DAMAGE BURNER HOLES.**
- 10.3.6 Reassemble in reverse order.

#### **10.4. IGNITION BURNER AND ELECTRODE REMOVAL AND REPLACEMENT:**

- 10.4.1 Remove the burner as detailed in 10.2 above.
- 10.4.2 Disconnect the igniter lead from electrode.
- 10.4.3 Break the gas feed at the burner end of the gas feed pipe.
- 10.4.4 Release the single screw, nut and washer securing the ignition burner to the main burner assembly and carefully remove the ignition burner assembly.
- 10.4.5 Release the electrode securing nut from the ignition burner assembly and withdraw the electrode.
- 10.4.6 Release the ignition burner feed pipe securing nut from the ignition burner assembly and withdraw the feed pipe and injector from the ignition burner assembly. Disconnect the ignition burner injector from the ignition burner feed pipe hook.
- 10.4.7 Release the 2 x 5mm screws securing the ignition burner bracket to the ignition burner mounting bracket and remove the ignition burner bracket.
- 10.4.8 Refitting or replacement is in reverse order.

**10.5 NOTE: If, at any time, the gas supply feed pipe is removed from the multifunction control, the 'O' ring MUST be replaced.**

#### **10.6 AIR CIRCULATING FAN, REMOVAL AND CLEANING:**

- 10.6.1 Ensure that the electrical supply is isolated.
- 10.6.2 Remove the front door from the heater and remove the fixing screws on the electrical door assembly.
- 10.6.3 Open the door assembly outwards on its hinges (see fig. 7) such that access is gained to the rear of the assembly.
- 10.6.4 Disconnect the fan flying leads from the fan assembly.
- 10.6.5 Release the fan assembly securing screw and withdraw the fan assembly from the heater cabinet, avoiding damage to the fan blades.
- 10.6.6 Remove all dust from both the impeller and motor, taking care to not disturb the balance of the fan.
- 10.6.7 Refitting or replacement is in reverse order.

#### **10.7 CONTROL MODULE REMOVAL:**

- 10.7.1 Ensure that the electrical supply is isolated.
- 10.7.2 Remove the front door from the heater.
- 10.7.3 Loosen the top and bottom screws holding the electrical cover plate in place on the electrical door assembly. (see fig. 7) **DO NOT COMPLETELY REMOVE THE SCREWS AT THIS STAGE.**
- 10.7.4 Remove the cover plate by sliding it upwards, such that it exposes the control module.
- 10.7.5 Carefully disconnect the module by lifting the connecting blocks off the circuit board (see fig. 11)

**NOTE: There is no need to loosen any of the connection screws on the connector blocks!**

- 10.7.6 Completely remove the top and bottom cover plate screws and pull the control module free of the electrical door assembly.
- 10.7.7 Fit the new control module in place and partially fit the cover plate fixing screws. **DO NOT TIGHTEN SCREWS AT THIS STAGE!**
- 10.7.8 Re-connect the module by carefully pushing the connector blocks onto the circuit board.
- 10.7.9 Re-fit the electrical cover plate and tighten the cover plate screws.
- 10.7.10 Re-establish electrical supply.
- 10.7.11 Commission air heater and water circulator as described in the relevant sections above.

#### **10.8 TIME CONTROL, SWITCH AND LED INDICATOR (DAUGHTER BOARD) REMOVAL:**

Preparation:

- 10.8.1 Ensure that the electrical supply is isolated.
- 10.8.2 Remove the appliance front door and release the 3 x securing screws on the electrical door assembly.
- 10.8.3 Open the door assembly outwards on its hinges (see fig. 7) such that access is gained to the rear of the assembly.

**Time Control removal:**

- 10.8.3 Disconnect spade terminal connectors "C1", "C2", "C3" and "C5" from the time control.



10.8.4 Release the 3 x fixing screws securing the clock mounting plate to the electrical door and withdraw the total assembly from the door.

10.8.5 Remove the 3 X M3 bolts that secure the time clock mechanism and remove from the mounting plate.

10.8.6 Refitting or replacement is in reverse order.

#### **LED Indicator (Daughter Board)**

10.8.7 Disconnect the daughter board by unplugging the flylead from the control module board.

10.8.8 Release the 3 x fixing screws securing the clock mounting plate to the electrical door and withdraw the total assembly from the door.

10.8.9 Remove the 2 X M3 nuts holding the board onto the bolts and remove.

10.8.10 Replacement is in reverse order, ensuring to refit the spacers.

#### **Switch/s removal:**

10.8.11 Disconnect the spade terminal connectors “S1”, “S2” and “S3” or “S4”, “S5” and “S6” from the switch terminals.

10.8.12 Release the switch/s by pressing out from the back of the electrical door assembly.

10.8.13 Fit new switch/s and lock into position by pressing home until the locking tabs locate on the top and bottom of the switch.

10.8.14 Re-connect the spade connectors.

10.8.15 Re-fitting of the electrical door assembly is in reverse order.

10.8.16 Close the electrical door assembly and secure using the 3 x fixing screws.

10.8.17 Set the time control to correct time.

10.8.18 Set the time control to the required “ON” and “OFF” periods.

#### **10.9 FANDELAY CONTROL/LIMIT SWITCHREMOVAL:**

10.9.1 Ensure that the electrical supply is isolated.

10.9.2 Remove the appliance front door.

10.9.3 Remove the 2 x fixing screws holding the FDC/limit switch assembly in place and withdraw from the appliance.

10.9.4 Disconnect the wires from the terminal block and release the clamping bush, in order to remove the wiring harness.

10.9.5 Refitting or replacement is in reverse order.

#### **10.10 WATER CIRCULATOR THERMOSTAT REMOVAL:**

10.10.1 Remove the appliance front door.

10.10.2 Disconnect the two spade terminals from the back of the thermostat.

10.10.3 Carefully loosen the control knob from the shaft of the thermostat using a large flat head screwdriver and remove.

10.10.4 Loosen and remove the 2 x screws securing the thermostat and remove the thermostat from its mounting bracket.

10.10.5 Refitting or replacement is in reverse order.

#### **10.11 HEATEXCHANGER ACCESS:**

10.11.1 Ensure that the gas and electrical supplies are isolated.

10.11.2 Remove the appliance front door.

10.11.3 Remove the 15 x screws holding the sealing panel in place and carefully remove the panel.

10.11.4 Remove the burner assembly as detailed at 10.2

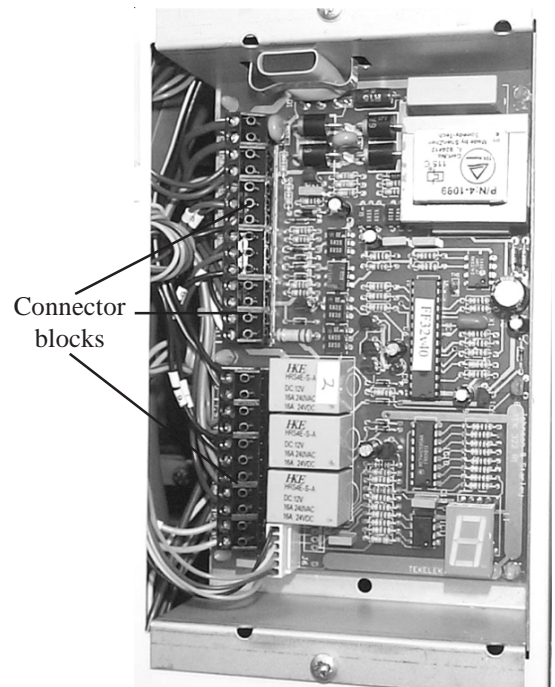
10.11.5 Remove the multifunctional control for the water circulator (IF FITTED)

10.11.6 Release the 4 x screws securing the combustion chamber heat shield and withdraw the heat shield.

10.11.7 Release the 4 x screws securing the top access cover plate and withdraw the cover plate and gasket.

10.11.8 Release the 4 x screws securing the heat exchanger top sealing plate and withdraw the sealing plate and gasket.

10.11.9 Reassembly is in reverse order.



**Fig. 11**  
**Control module, showing connector blocks.**

**NOTE:**  
**To disconnect the module, LIFT the connector blocks off the circuit board. DO NOT remove the wires from the connector block!**

**NOTE:** When reassembling ensure that gaskets are soundly sealed and replaced where necessary (See cautionary note at paragraph 10) Prior to use, you **MUST** fully commission the heater in accordance with these instructions.

**10.12. FLUE FAN, REMOVAL AND CLEANING**

- 10.12.1 Remove the air circulation fan as detailed at 10.6
- 10.12.2 Disconnect the power supply to the pressure switch.
- 10.12.3 Carefully remove the feed pipes to the pressure switch **TAKING CARE TO NOTE THEIR POSITION.**
- 10.12.4 Unscrew the 2 x fixing screws holding the pressure switch in place and remove the switch.
- 10.12.5 Carefully open the plastic insulators on the fan fly-lead and break the electrical connections such that the spade connectors can be fed through the grommet on the sealing plate..
- 10.12.6 Remove the 11 x fixing screws holding the flue fan sealing plate in place and remove the plate.

**NOTE: WHEN REMOVING THE SEALING PLATE, CAREFULLY FEED THE PRESSURE PIPES THROUGH THE GROMMETS IN THE PLATE, TAKING CARE NOT TO PULL THE PIPES OFF THE FAN PRESSURE TAPPINGS!**

- 10.12.6 Release the 4 x fixing screws holding the flue fan in place
- 10.12.7 Carefully withdraw the fan and its gasket from the collector box, taking care not to damage the fan blades.
- 10.12.8 Remove all dust from both the impeller and motor, taking care not to disturb the balance of the fan.
- 10.12.9 Refitting/replacement is in reverse order.

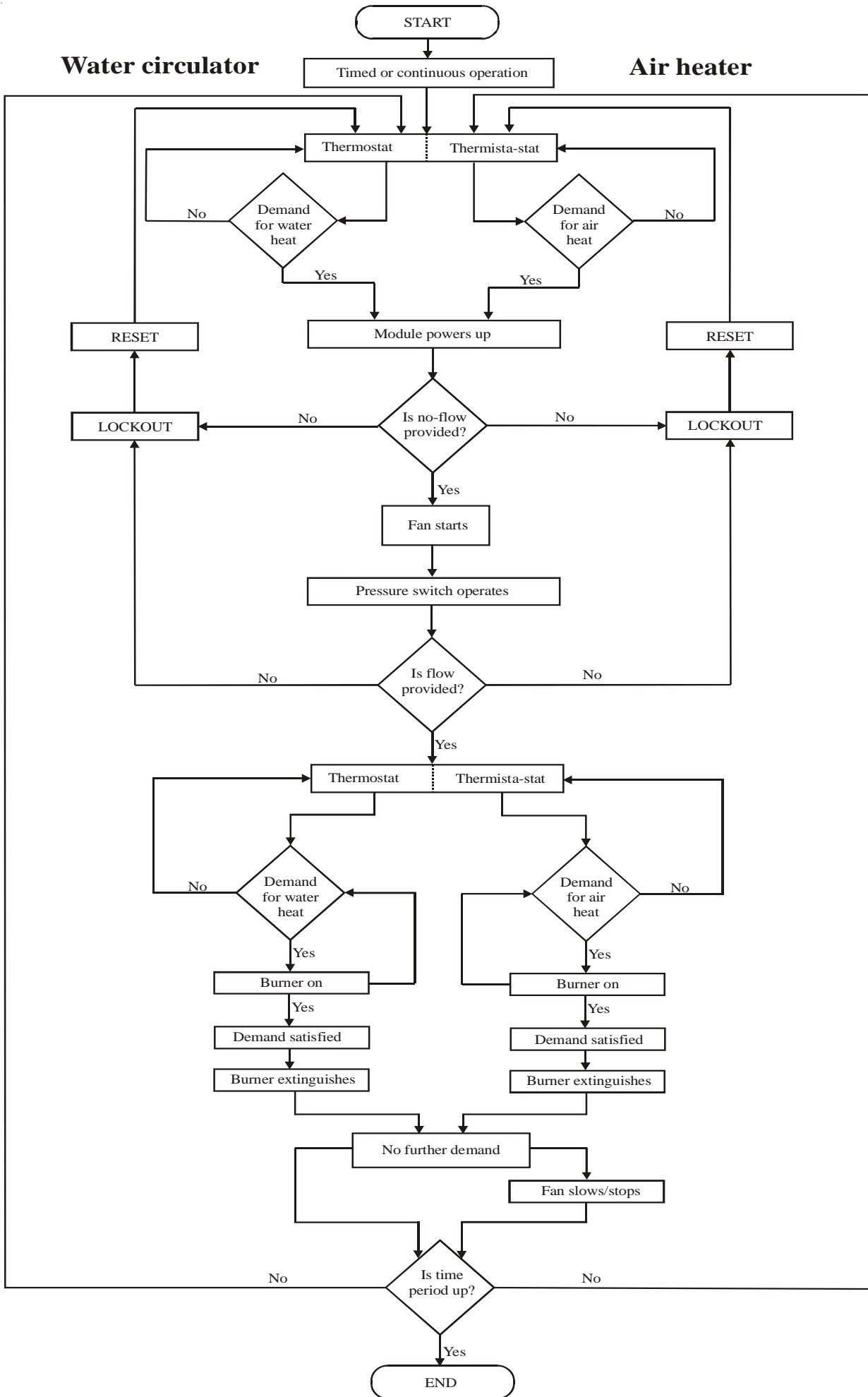
**11. DEFECT DIAGNOSIS**

The following table shows the LED status indicator display and the corresponding fault condition, along with the lockout type. It should be noted that under certain conditions the red LED relating to the air heater may flash. This is part of the control sequence and the module should reset automatically. It is **ONLY** necessary to press the “RESET” button if the red LED is on continuously.

| <b>LED</b> | <b>Cycle</b>           | <b>Fault Condition</b>                  | <b>Lockout Type</b> |
|------------|------------------------|---|---------------------|
| 0          | Running                | None – all is well                      | None                |
| 1          | Air Proving            | Air switch closed                       | Absolute            |
| 2          | Air Proving            | Gas valve relay on (either)             | Absolute            |
| 3          | Air Proving            | Air switch closure failed               | Absolute            |
| 4          | Prove Heater Valve     | Gas valve current, relay should be open | Air Heater          |
| 5          | Prove Heater Valve     | None (wait for ignition burner)         | Air Heater          |
| 6          | Prove Heater Relay     | Flame failure                           | Air Heater          |
| 7          | Prove Circulator Relay | Gas valve current, relay should be open | Circulator          |
| 8          | Prove Circulator Relay | None (wait for ignition burner)         | Circulator          |
| 9          | Prove Circulator Relay | Flame failure                           | Circulator          |
| A          | Running                | Excessive cabinet temperature           | Absolute            |
| C          | Running                | Air flow sensor out of range            | Air Heater          |
| E          | Running                | Problem with air circulator fan         | Air Heater          |
| F          | Running                | Air heater limit stat                   | Air Heater          |
| H          | Running                | Circulator limit stat                   | Circulator          |
| L          | Running                | Open air flow sensor                    | Air Heater          |

**Table. 4**  
**Control module fault indications**

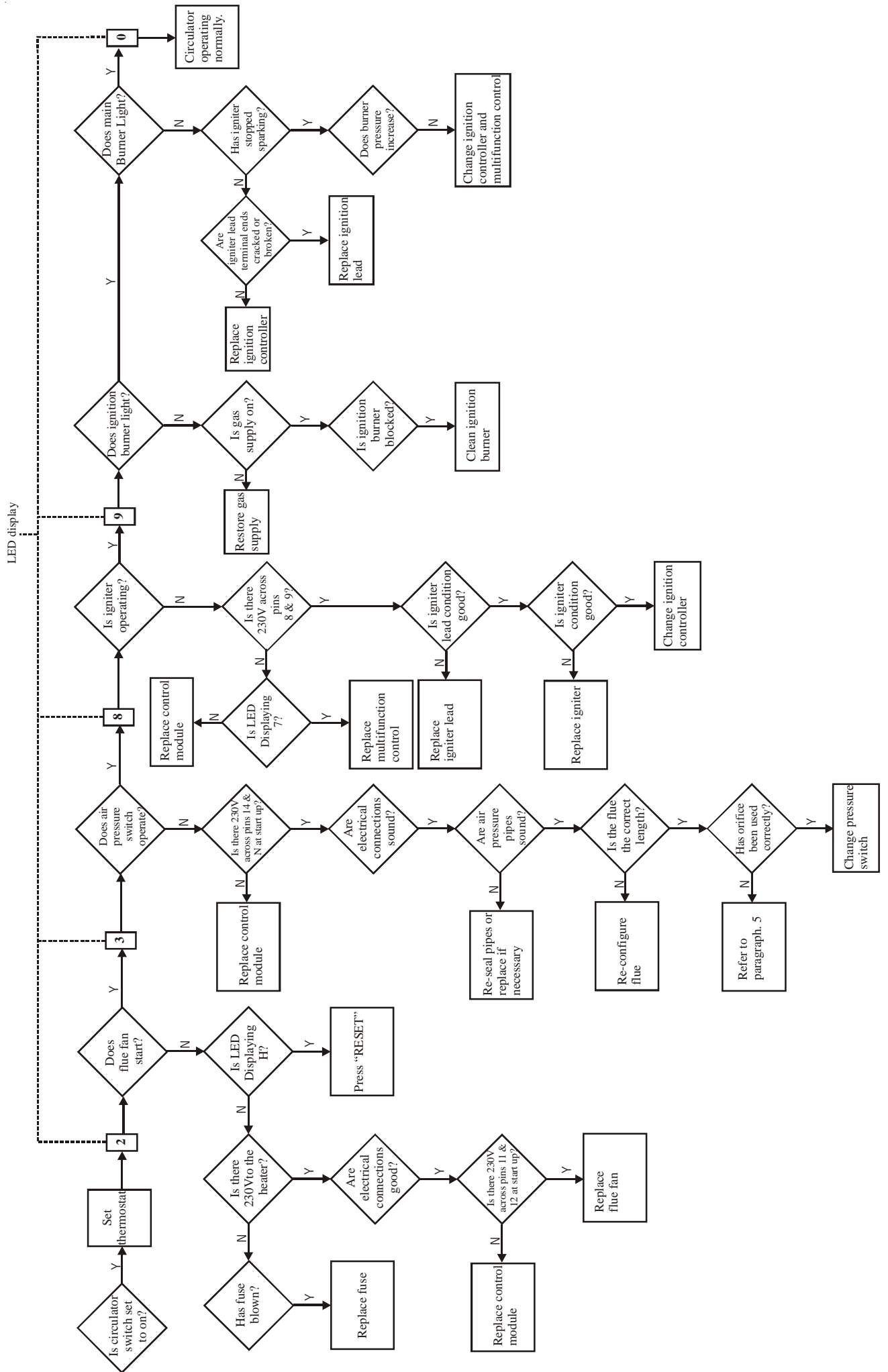
**NOTE:** When the air heater and water circulator are used together, the status indications for the water circulator will override those for the air heater; therefore LED displays “8” and “9” will override “5” and “6”. For this reason, it is strongly recommended that the air heater and water circulator be commissioned independently of each other.



**Fig. 12**  
Control Flowchart



# Water Circulator Diagnostics Flowchart



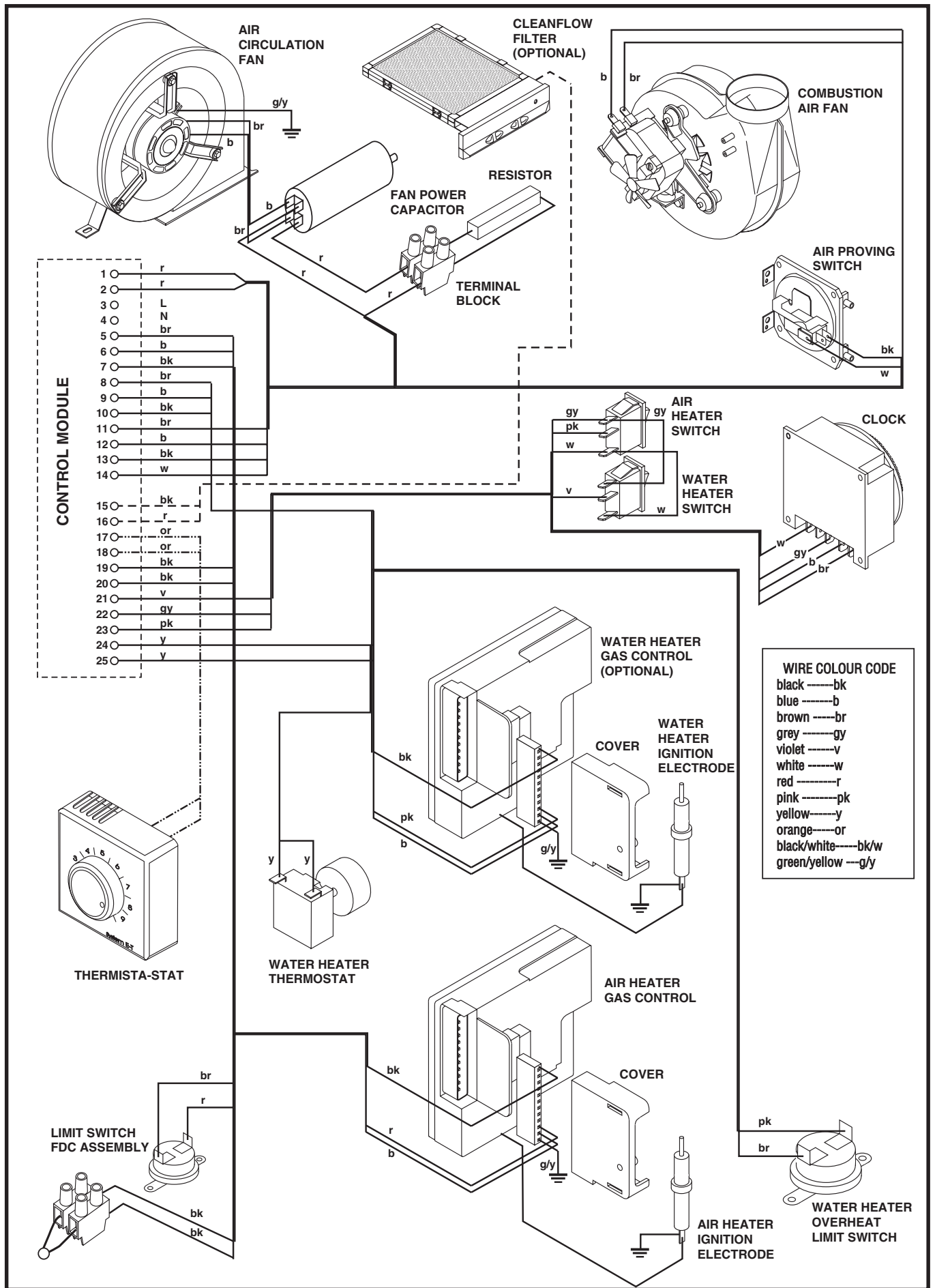


Fig.13  
Economaire 25 Flow Diagram



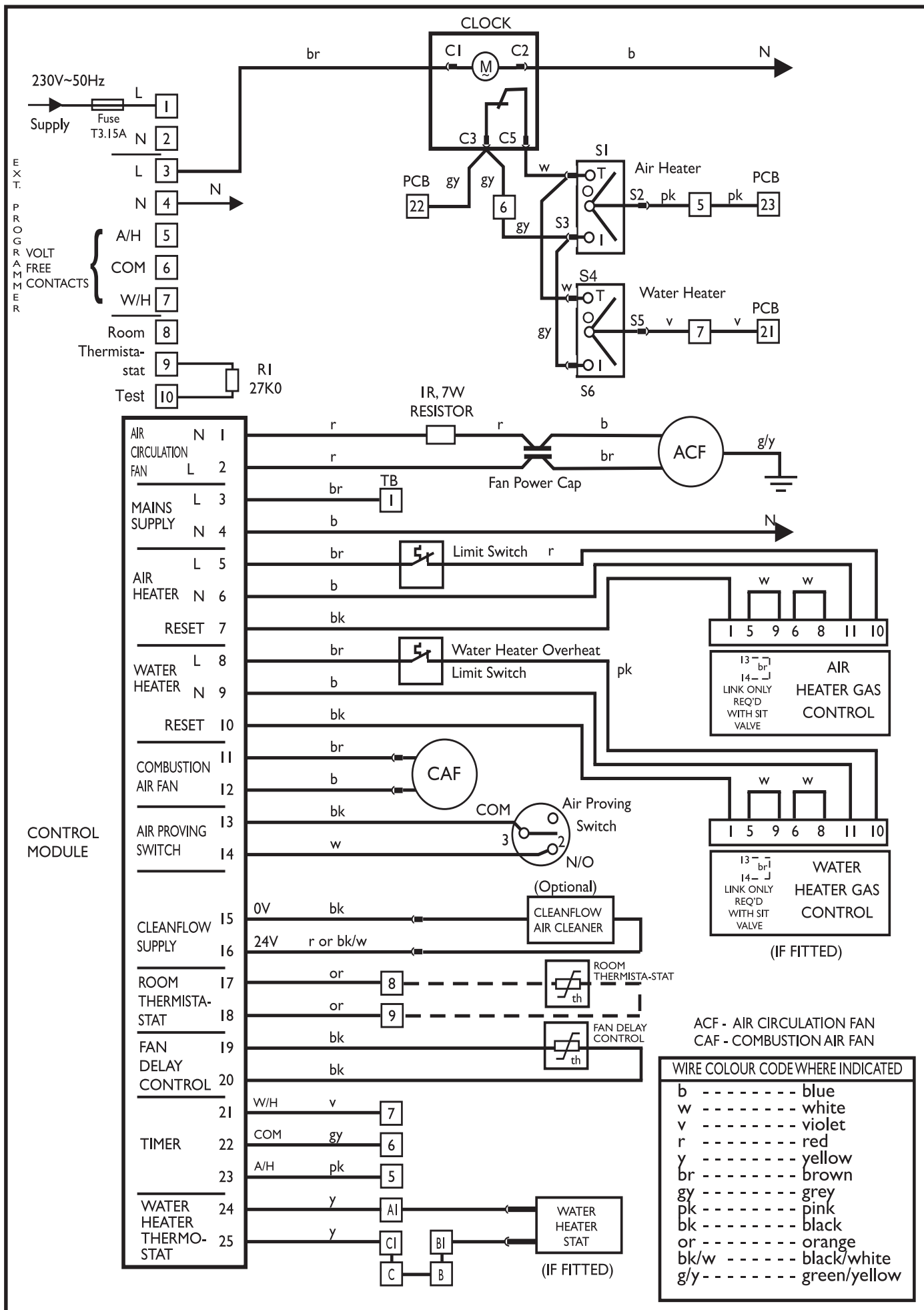


Fig.14

Economaire 25 Logic Diagram

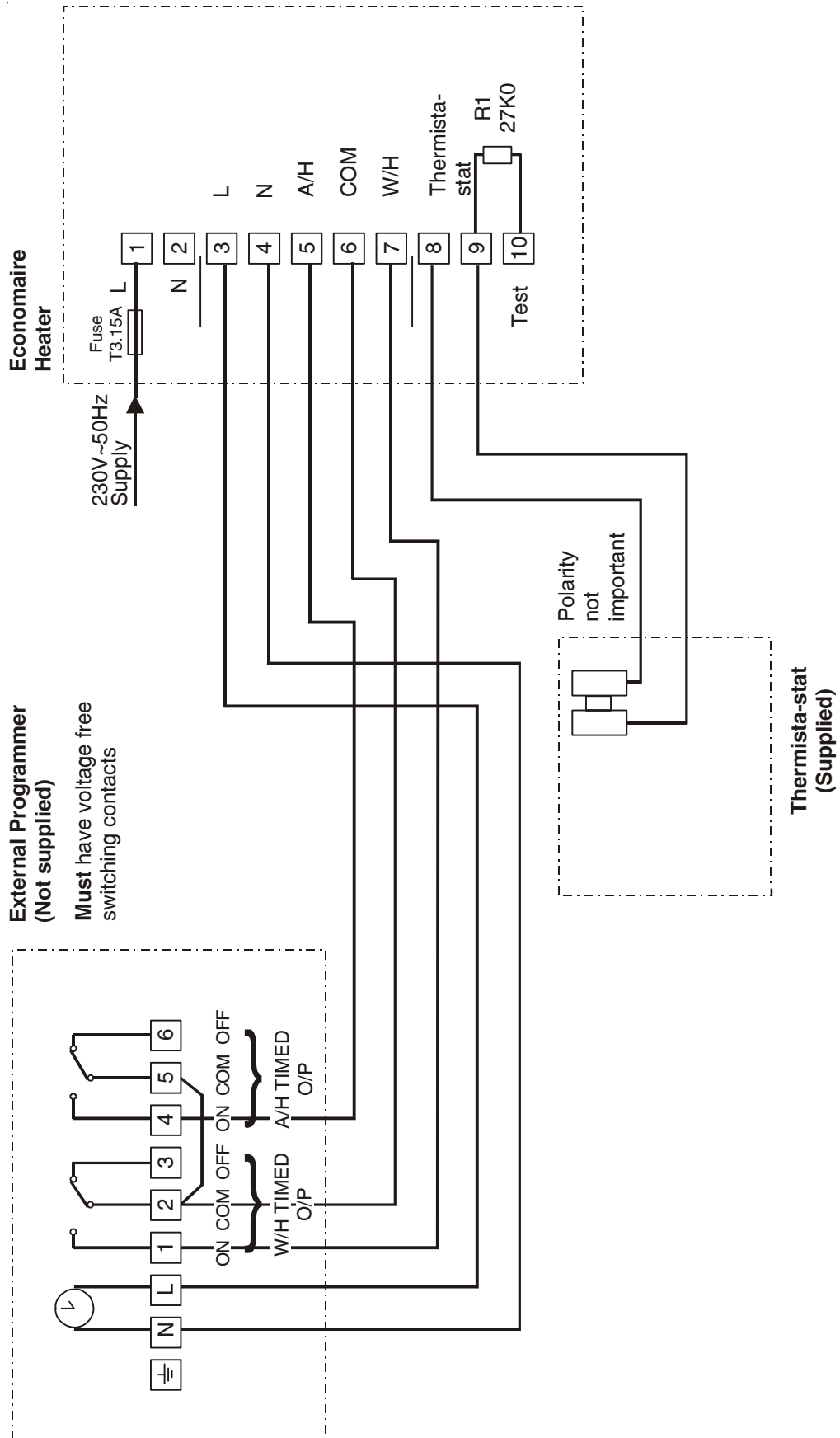
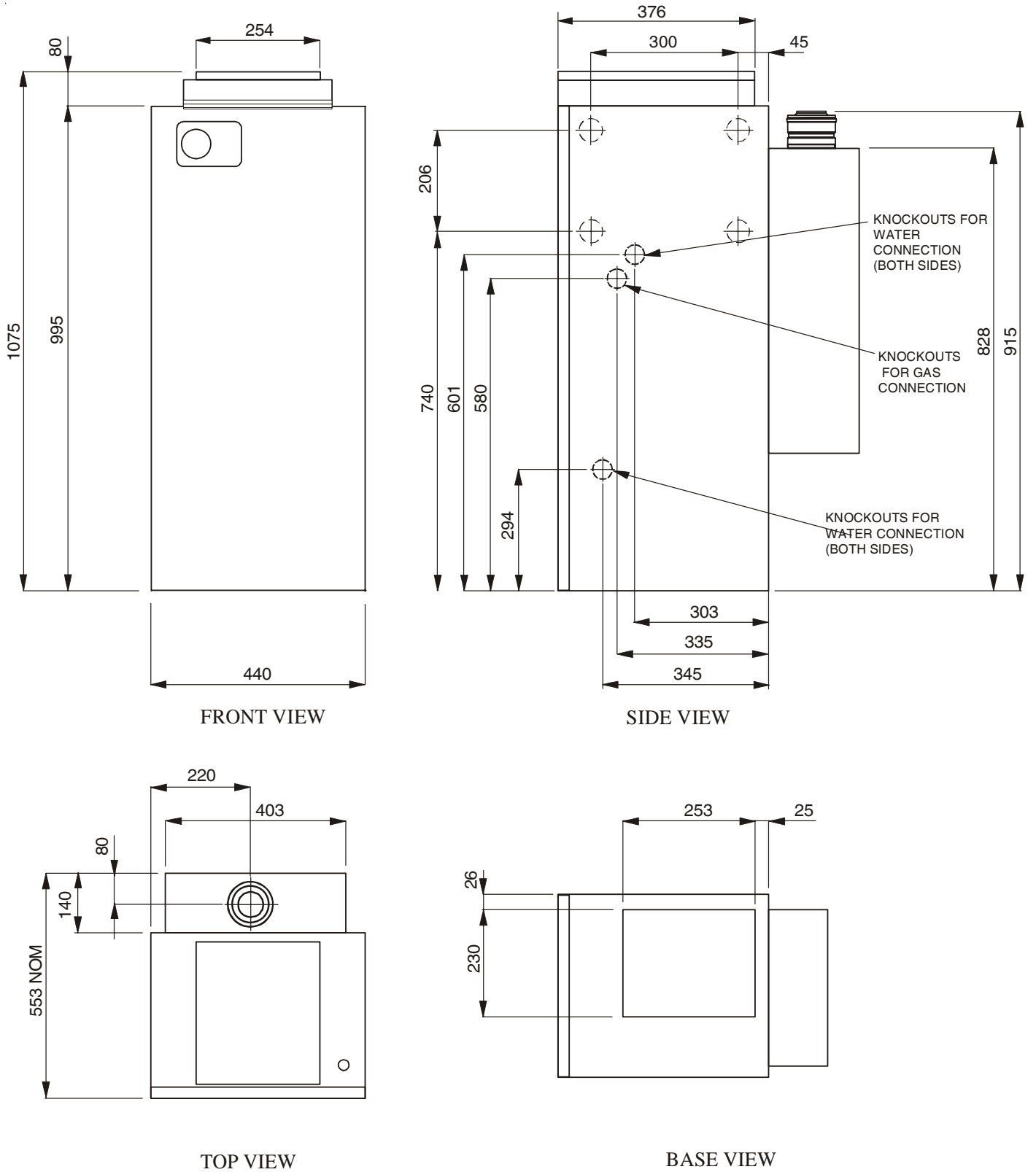


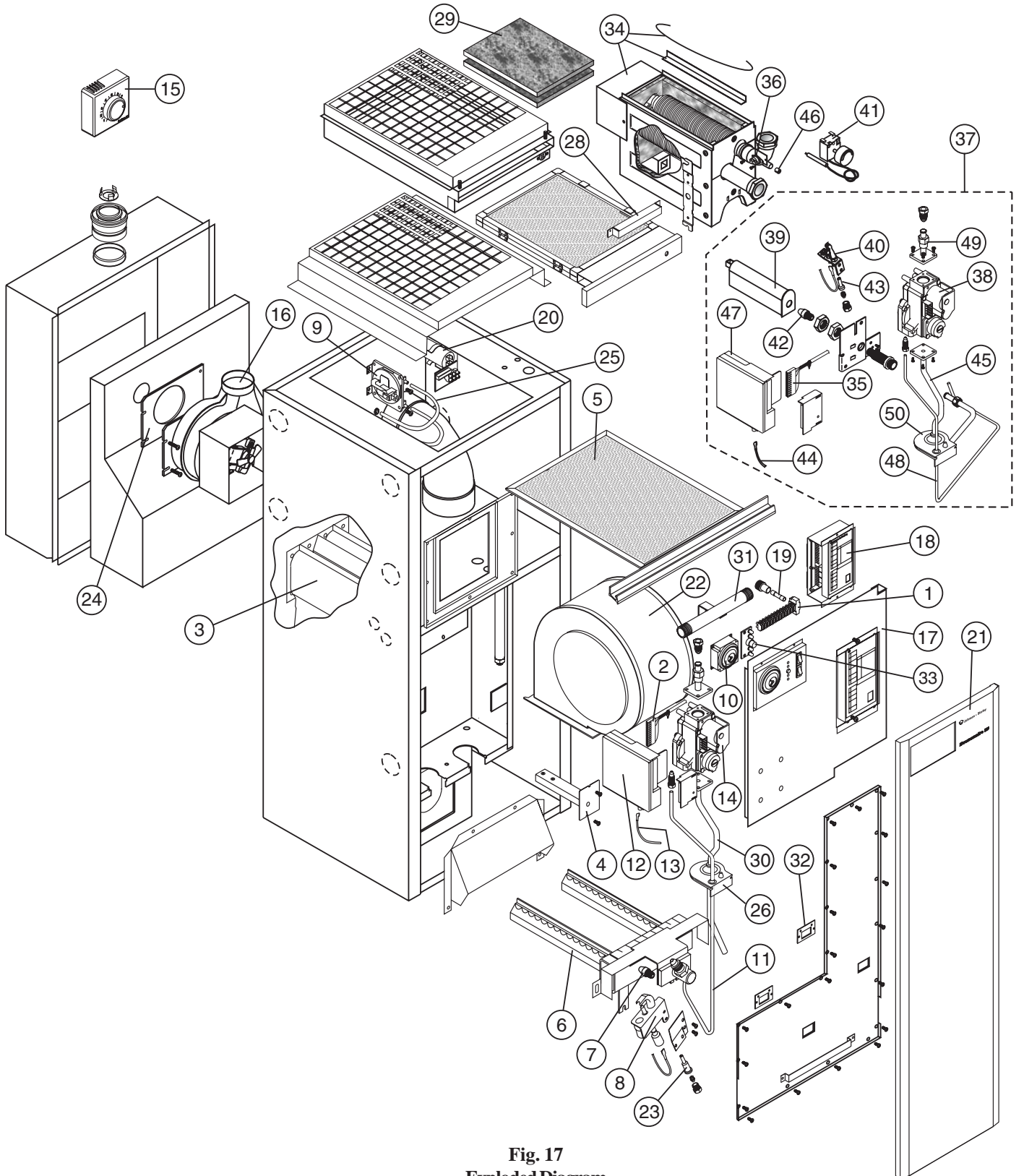
Fig. 15  
Schematic Diagram (showing connection of an external controller)



**Fig. 16**  
**Economaire 25 - Principal Dimensions**

**LIST OF SPARES (see Fig. 17)**  
**ECONOMAIRE 25 and ECONOMAIRE 25 INTEJAN**

| Item                     | G.C. No | Part No       | Description                                   | Qty |
|--------------------------|---------|---------------|---|-----|
| 1                        | E69625  | 1000-0521020  | Wiring harness                                | 1   |
| 2                        | E80119  | 1000-0521860  | Wiring harness (air heater)                   | 1   |
| 3                        | 232 862 | N250-0350005  | Heat exchanger                                | 1   |
| 4                        | E80123  | 1000-0521820  | FDC & limit switch                            | 1   |
| 5                        | E79272  | T193-0145000  | Filter assembly                               | 1   |
| 6                        | E80138  | N250-0702000  | Burner & control assembly                     | 1   |
|                          | E84175  | N250-0751000  | Complete burner arm assembly                  |     |
| 7                        | 398388  | BOS02060      | Main burner injector (Bray 33/700)            | 1   |
| 8                        | E80139  | 1000-0708550  | Ignition burner assembly                      | 1   |
| 9                        | E69631  | 1000-0520860  | Air pressure switch                           | 1   |
| 10                       | E69632  | 1000-0520830  | Clock mechanism                               | 1   |
| 11                       | E80183  | 1000-0704820  | Ignition burner feed pipe                     | 1   |
| 12                       | E80141  | 1000-0708510  | Electric flame control device (Honeywell)     | 1   |
| 13                       | 387 819 | BOS 02394     | Igniter lead                                  | 1   |
| 14                       | E80143  | 1000-0708520  | Multifunction control                         | 1   |
|                          | E84219  | 400-0016-7-32 | 'O' rings for above                           | 2   |
| 15                       | 245 514 | 1000-0515620  | Thermista-stat                                | 1   |
| 16                       | E80184  | N250-0504005  | Combustion air fan (SIFAN)                    | 1   |
| 17                       | E80185  | N250-0500000  | Complete electrical panel                     | 1   |
| 18                       | E80146  | 1000-0520850  | Control module                                | 1   |
| 19                       | 245 509 | 1000-0513820  | Fuse T3.15A (anti surge)                      | 1   |
| 20                       | 245 542 | 1000-0515970  | Capacitor 15mf                                | 1   |
| 21                       | E80186  | N250-0167000  | Cabinet door assembly                         | 1   |
| 22                       | 232878  | BOS 02064SP   | Air circulation fan                           | 1   |
| 23                       | 245183  | 1000-0703150  | Ignition burner injector                      | 1   |
| 24                       | E69653  | 1000-1507310  | Gasket  | 1   |
| 25                       | E69709  | 1000-0000390  | Air Pressure Tube                             | 2   |
| 26                       | E80151  | 1000-2501050  | Grommet                                       | 1   |
| 27                       |         |               | ITEM NOT SHOWN                                |     |
| 28                       | E69656  | 1000-0505540  | Electronics box (cleanflow)                   | 1   |
| 29                       | 793896  | AO237X0309    | Cleanflow filter medium (pad)                 | 2   |
| 30                       | E80153  | 1000-0708480  | Gas feed pipe                                 | 1   |
| 31                       | E80154  | 1000-0708430  | Gas feed pipe                                 | 1   |
| 32                       |         |               | View port window (NOT AVAILABLE AS A SPARE)   | 2   |
| 33                       | E69648  | 1000-0520880  | Reset panel (daughter board)                  | 1   |
| <b>Water Circulator:</b> |         |               |   |     |
| 34                       | 244-876 | SOO284        | Main body assembly (inc baffle & spring clip) | 1   |
| 35                       | E80155  | 1000-0521870  | Wiring harness                                | 1   |
| 36                       | E69670  | 1000-0520920  | Overheat cut-off switch                       | 1   |
| 37                       | 244-876 | N250-0700000  | Complete burner arm assembly                  | 1   |
| 38                       | E80143  | 1000-0708520  | Multifunction control                         | 1   |
|                          | E84219  | 400-0016-7-32 | 'O' Rings for above                           | 2   |
| 39                       | 384 615 | BOS 00562     | Burner arm                                    | 1   |
| 40                       | 244880  | BOS 02397/1   | Ignition burner                               | 1   |
| 41                       | 398003  | 1000-0702040  | Thermostat                                    | 1   |
| 42                       | E80158  | 1000-0702090  | Main injector (Amal 187/001/400)              | 1   |
| 43                       | 392935  | 1000-0701260  | Ignition burner injector                      | 1   |
| 44                       | E80159  | 1000-0708470  | Igniter lead                                  | 1   |
| 45                       | E80161  | 1000-0708450  | Main burner gas feed pipe                     | 1   |
| 46                       | 230 328 | 1000-2500075  | Phial retaining plug                          | 1   |
| 47                       | E80141  | 1000-0708510  | Electronic flame control device (Honeywell)   | 1   |
| 48                       | E80163  | 1000-0708460  | Ignition burner feed pipe                     | 1   |
| 49                       | E80164  | 1000-0708440  | Gas feed pipe                                 | 1   |
| 50                       | E80151  | 1000-2501050  | Grommet                                       | 1   |



**Fig. 17**  
Exploded Diagram



BENCHMARK Number

Grid for BENCHMARK Number

WARM AIR HEATER AND CIRCULATOR COMMISSIONING CHECKLIST

WARM AIR UNIT

APPLIANCE SERIAL NUMBER: ..... NOTIFICATION No: .....

HOT WATER GENERATOR

APPLIANCE SERIAL NUMBER: ..... NOTIFICATION No: .....

CONTROLS to comply with the Building Regulations, each section must have a tick on one or other of the boxes

Table with 2 columns: REQUIREMENT and MEASURES PROVIDED. Rows include: 1. Time & temp control to heating, 2. Time & temp control to hot water, 3. Heating zone valves, 4. Thermostatic Radiator Valves, 5. Boiler interlock.

FOR WARM AIR HEATERS ONLY

Has the system been balanced in accordance with the heater manufacturer's instructions? YES [ ] NO [ ]

Was an anemometer used? YES [ ] NO [ ]

Have balancing dampers been fitted? YES [ ] NO [ ]

FOR WARM AIR HEATING: MEASURE AND RECORD

Burner operating pressure [ ] Mbar

Heat input [ ] KW

Temperature differential between return air inlet and nearest outlet [ ] °C

FOR HOT WATER GENERATORS: MEASURE AND RECORD

Burner operating pressure [ ] Mbar

Heat input [ ] KW

Water flow temperature [ ] °C

FOR ALL PRODUCTS

Does the heating & hot water system comply with the appropriate building regulations? YES [ ] NO [ ]

Has the appliance and associated controls been installed & commissioned in accordance with manufacturer's instructions? YES [ ] NO [ ]

Have you demonstrated the operation of the appliance & system controls to the customer? YES [ ] NO [ ]

Have you left all the manufacturer's literature with the customer YES [ ] NO [ ]

Competent person's signature ..... Customer's Signature ..... (To confirm demonstration of equipment & receipt of appliance instructions)

COMMISSIONING ENGINEER'S DETAILS

Name ..... Commissioning Date .....

Address .....

Tel No .....

CORGI REGISTRATION No ..... CORGI ID SERIAL No .....



# SERVICE INTERVAL RECORD

It is recommended that your heating system is serviced regularly and that your service engineer completes the appropriate service interval record below.

## SERVICE PROVIDER

Before completing the appropriate service interval record below, please ensure that you have carried out the service as described in the heater manufacturer's instructions and in compliance with the Gas Safety Regulations

**SERVICE 1** Date .....

Engineer's Name .....

Company Name .....

Tel No .....

CORGI ID Serial No .....

Comments .....

Signature .....

**SERVICE 6** Date .....

Engineer's Name .....

Company Name .....

Tel No .....

CORGI ID Serial No .....

Comments .....

Signature .....

**SERVICE 2** Date .....

Engineer's Name .....

Company Name .....

Tel No .....

CORGI ID Serial No .....

Comments .....

Signature .....

**SERVICE 7** Date .....

Engineer's Name .....

Company Name .....

Tel No .....

CORGI ID Serial No .....

Comments .....

Signature .....

**SERVICE 3** Date .....

Engineer's Name .....

Company Name .....

Tel No .....

CORGI ID Serial No .....

Comments .....

Signature .....

**SERVICE 8** Date .....

Engineer's Name .....

Company Name .....

Tel No .....

CORGI ID Serial No .....

Comments .....

Signature .....

**SERVICE 4** Date .....

Engineer's Name .....

Company Name .....

Tel No .....

CORGI ID Serial No .....

Comments .....

Signature .....

**SERVICE 9** Date .....

Engineer's Name .....

Company Name .....

Tel No .....

CORGI ID Serial No .....

Comments .....

Signature .....

**SERVICE 5** Date .....

Engineer's Name .....

Company Name .....

Tel No .....

CORGI ID Serial No .....

Comments .....

Signature .....

**SERVICE 10** Date .....

Engineer's Name .....

Company Name .....

Tel No .....

CORGI ID Serial No .....

Comments .....

Signature .....

When all of the above services have been completed, please contact your service engineer for an additional service record sheet.

**Johnson and Starley prides itself on its ability to supply spare parts quickly and efficiently. If you have a problem in obtaining a spare part, please contact our Spares Department at the address below.**

**Telephone: (01604) 762881**

**Fax: (01604) 767408**

**JOHNSON & STARLEY LTD.  
Rhosili Road,  
Brackmills,  
Northampton NN4 7LZ**