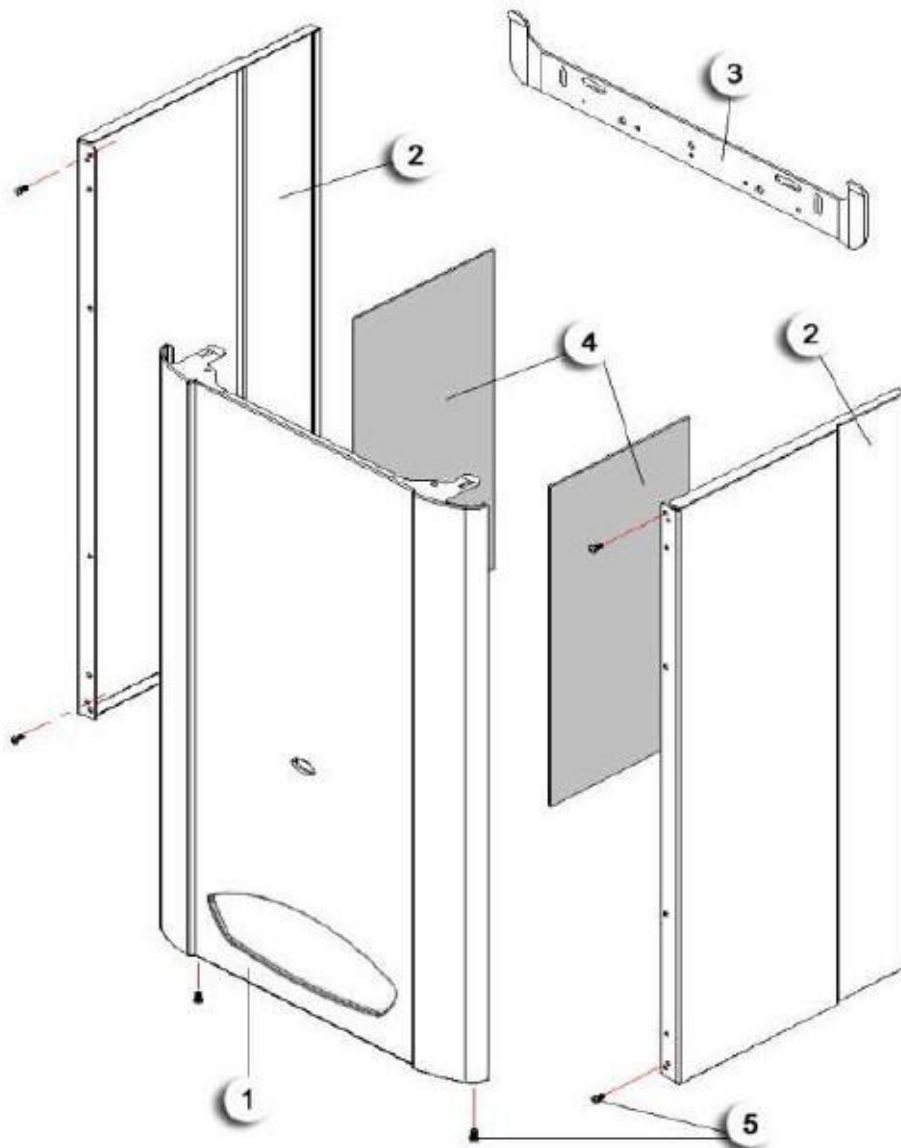


Compact, Capriz & Vizo



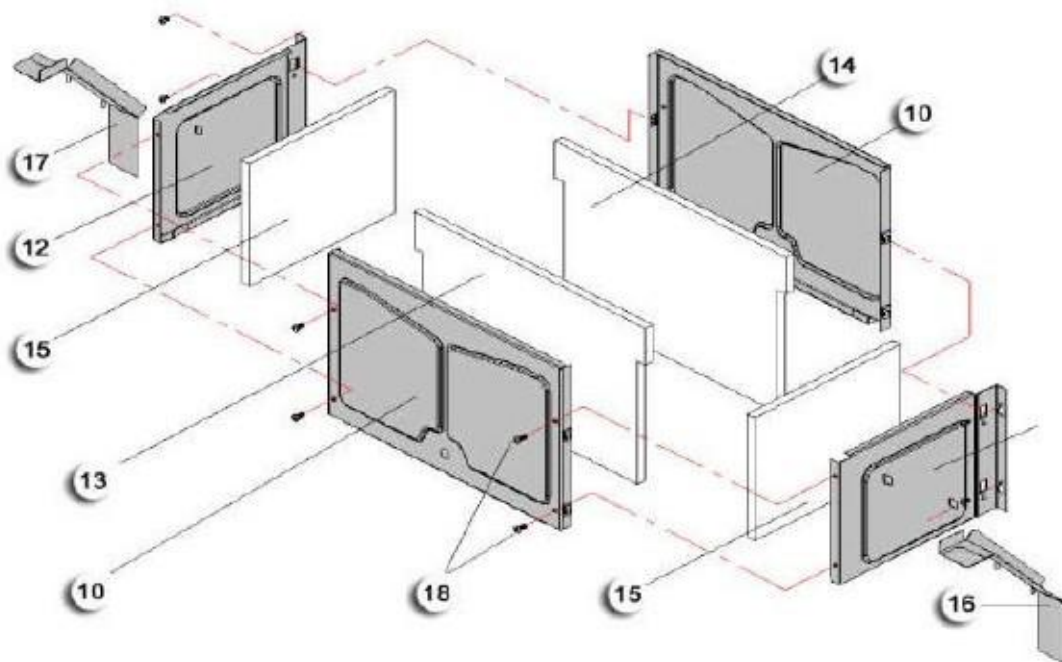
S24, S30,
S20S, S24S, S30S,
C24, C28 & Vizo 24

Outer Casing



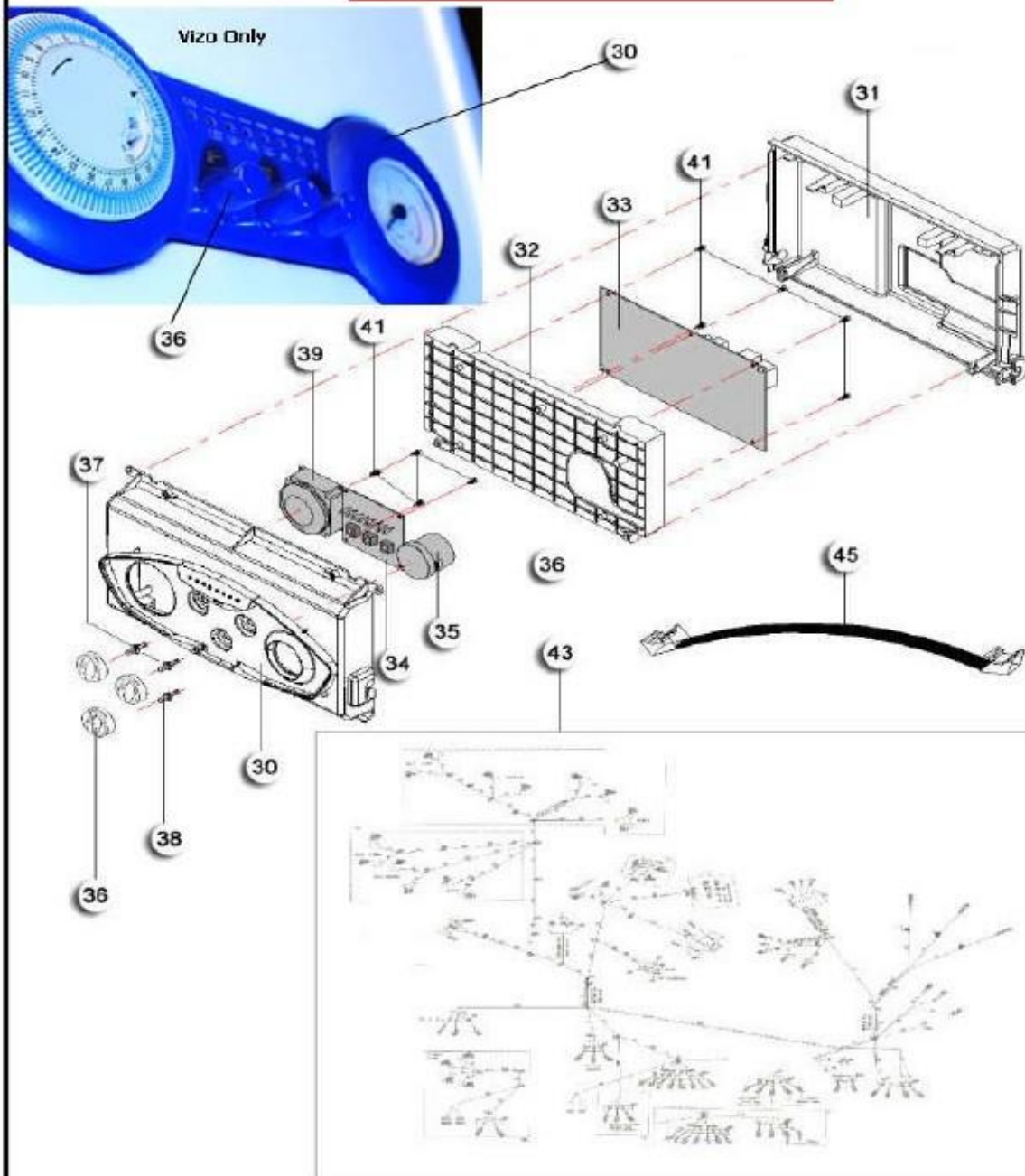
S24, S30,
S20S, S24S, S30S,
C24, C28 & Vizo 24

Combustion Chamber



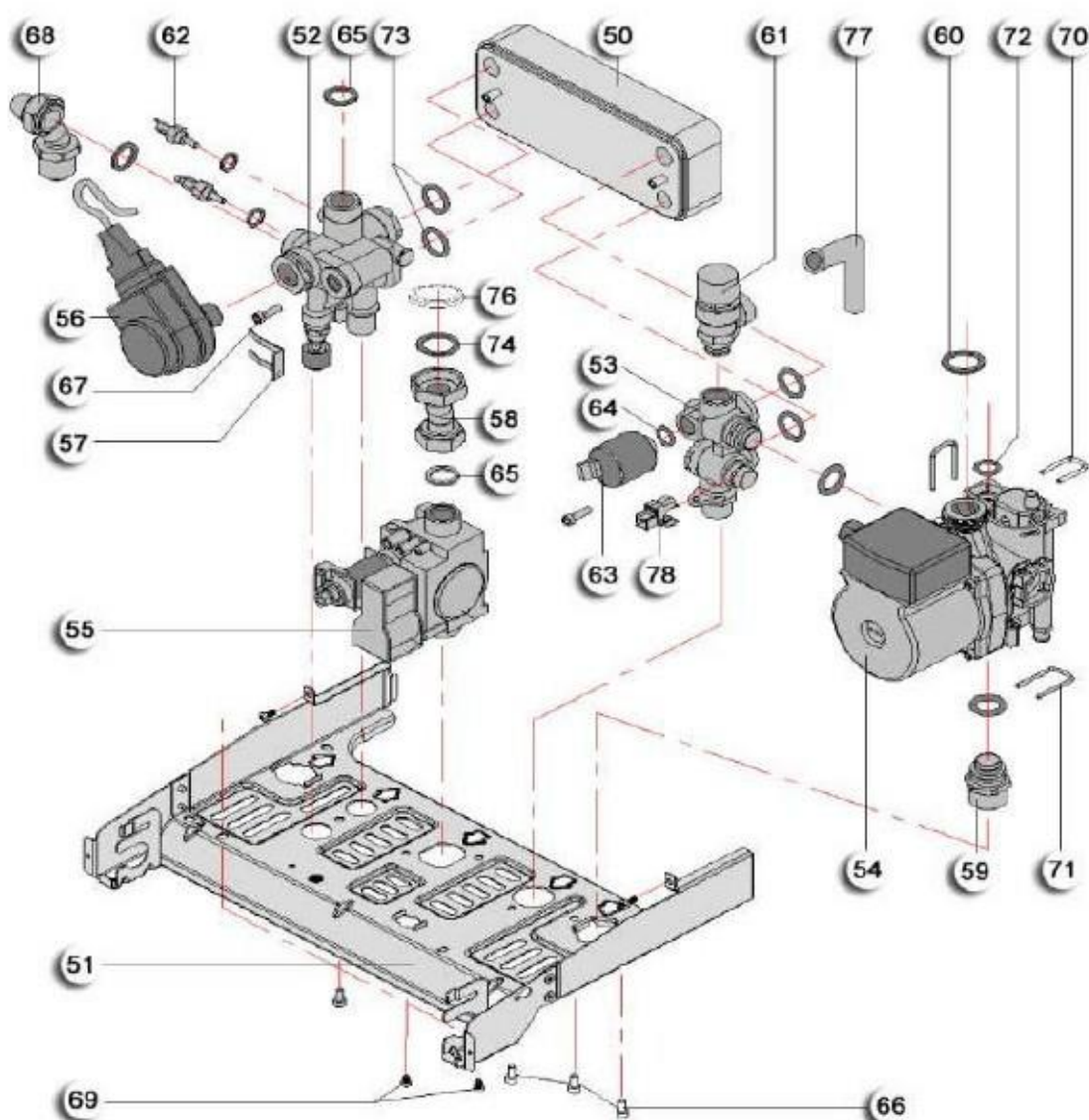
S24, S30,
S20S, S24S, S30S,
C24, C28 & Vizo 24

Control Panel



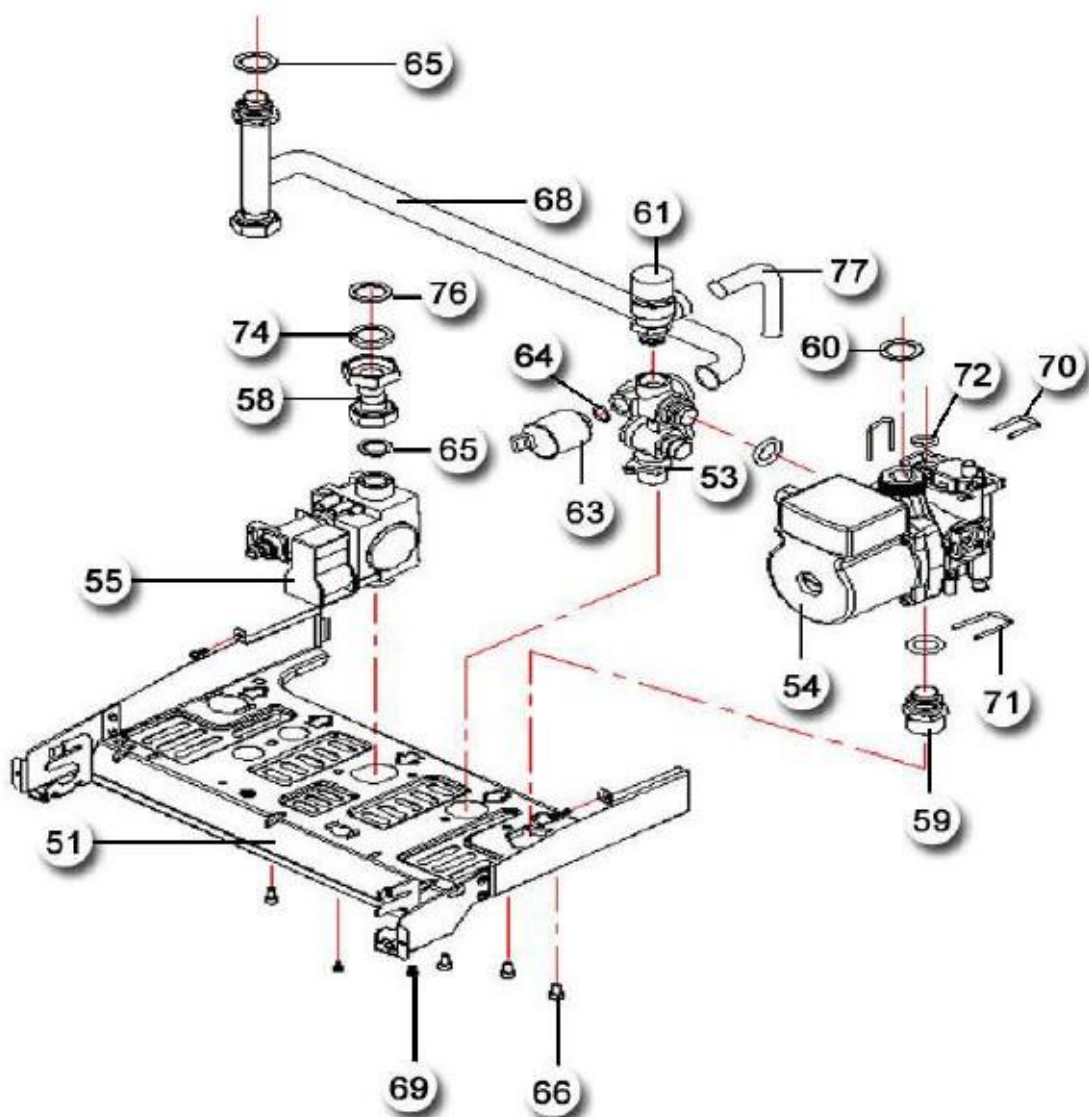
S24, S30, C24, C28 & Vizo 24

Hydroblock Group



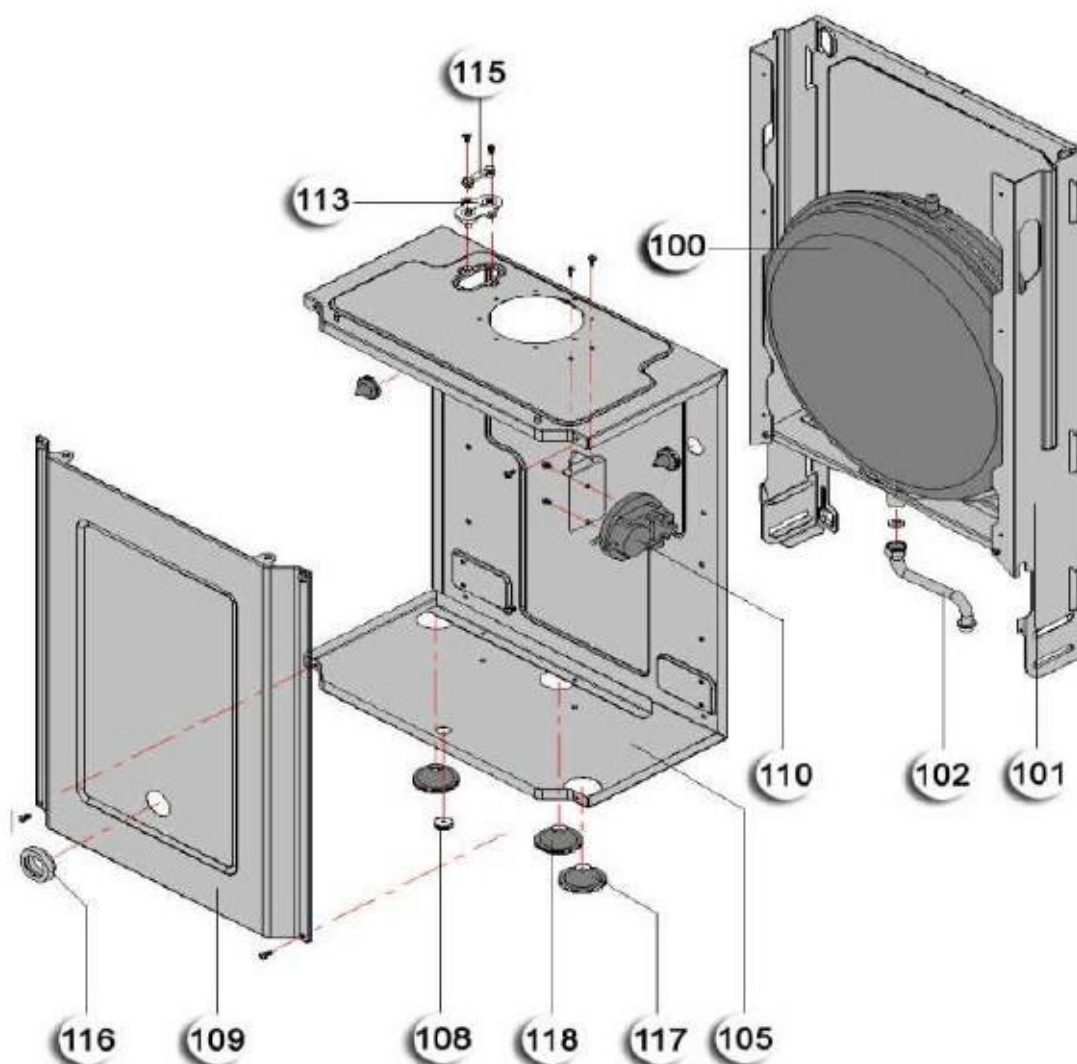
S20S, S24S, S30S,

Hydroblock Group



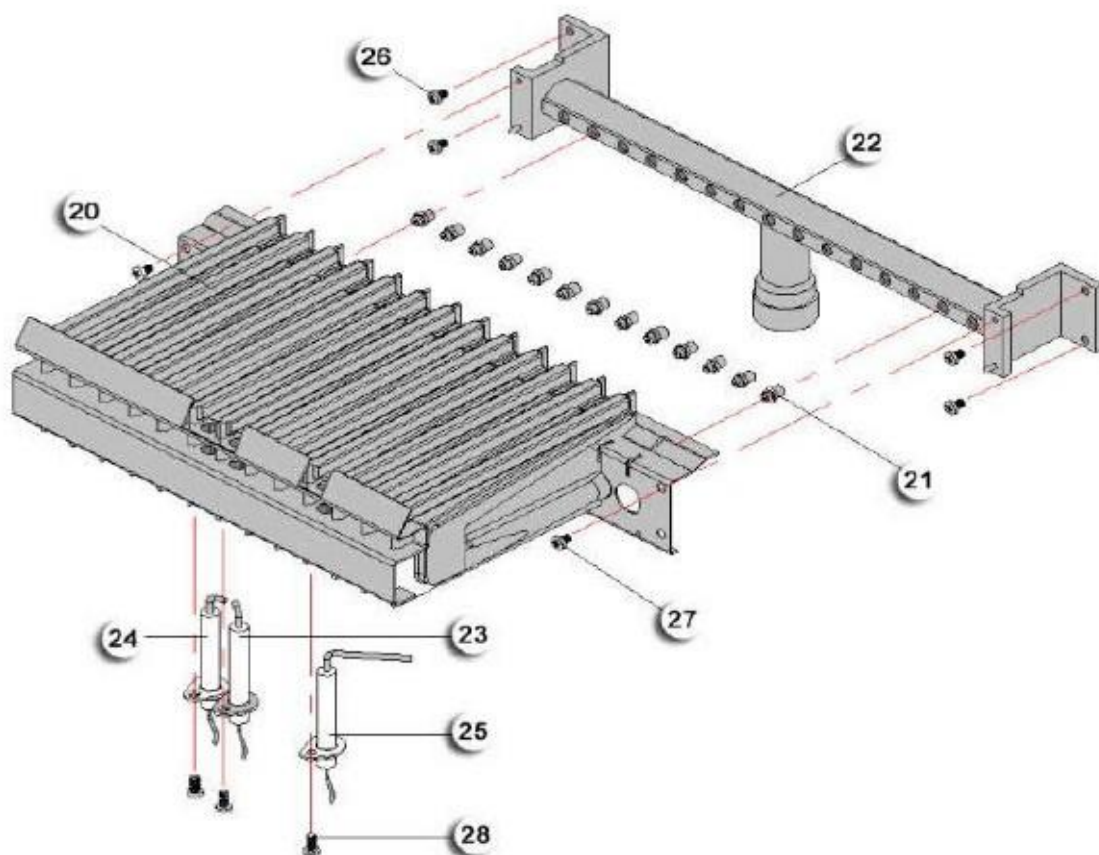
S24, S30,
S20S, S24S, S30S,
C24, C28 & Vizo 24

Main Frame



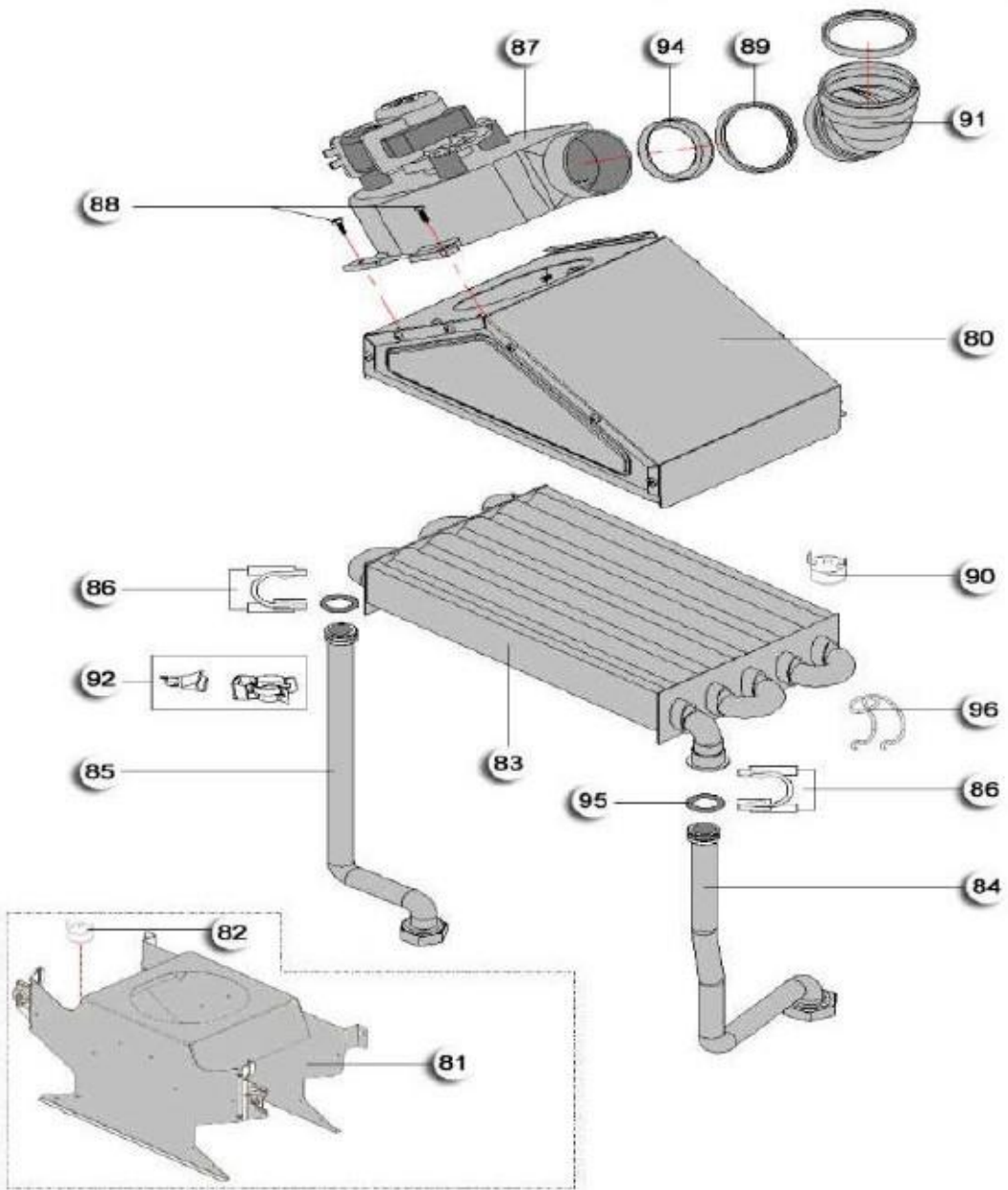
S24, S30,
S20S, S24S, S30S,
C24, C28 & Vizo 24

Burner



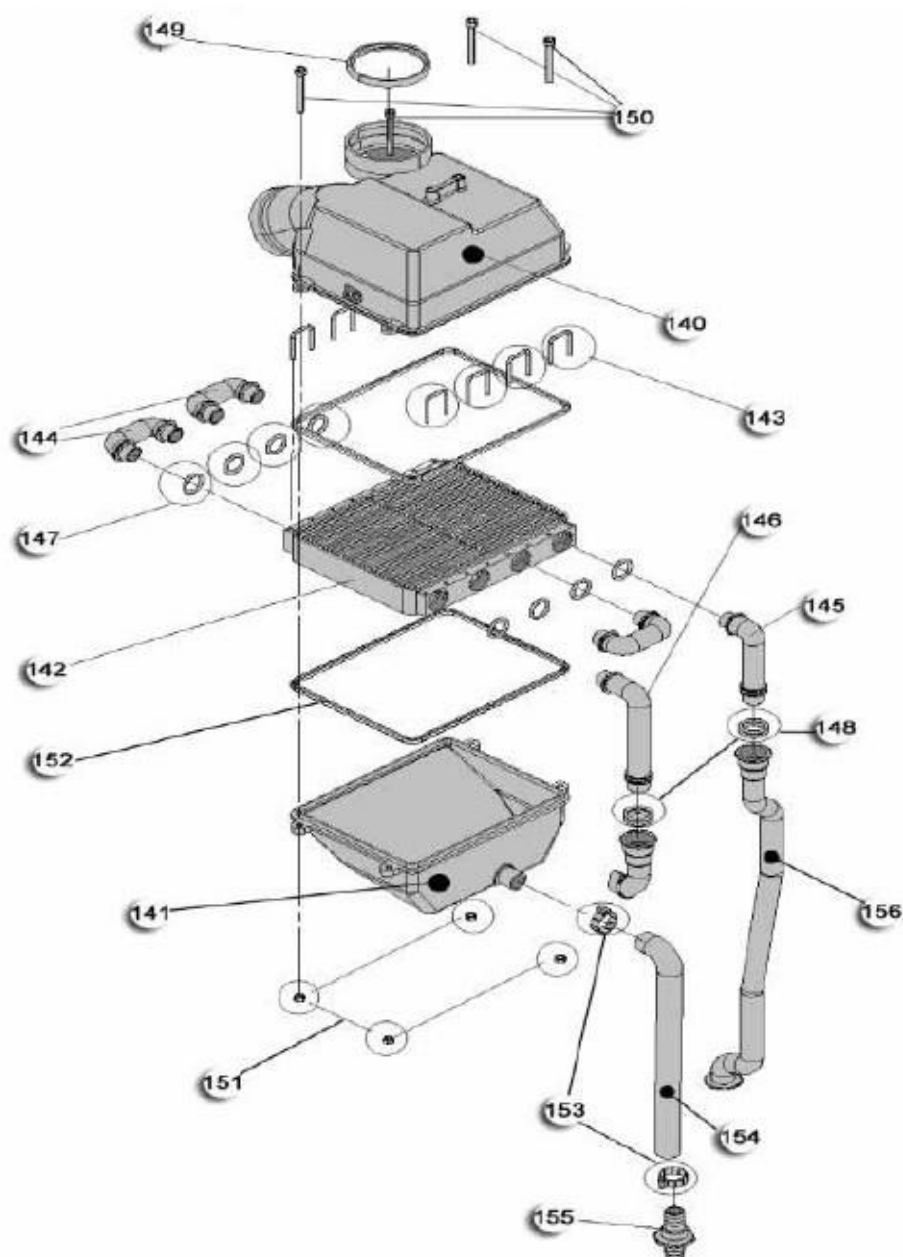
S24, S30,
S20S, S24S, S30S,
C24, C28 & Vizo 24

Heat Exchanger & Fan



C24, C28 & Vizo 24

Condensing Unit



S24, S30,
S20S, S24S, S30S,
C24, C28 & Vizo 24

Fixing Jig

