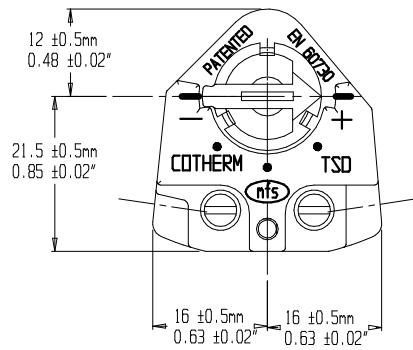
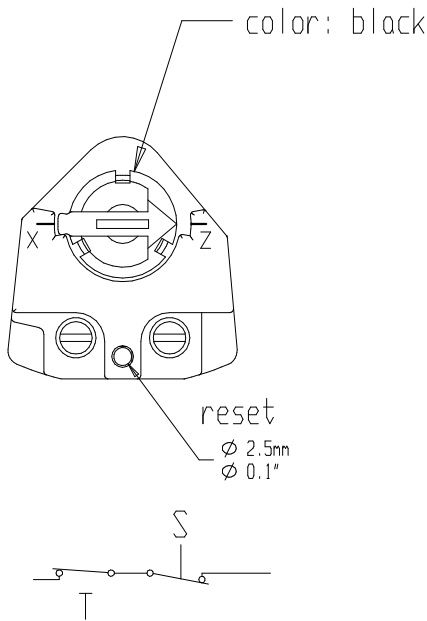
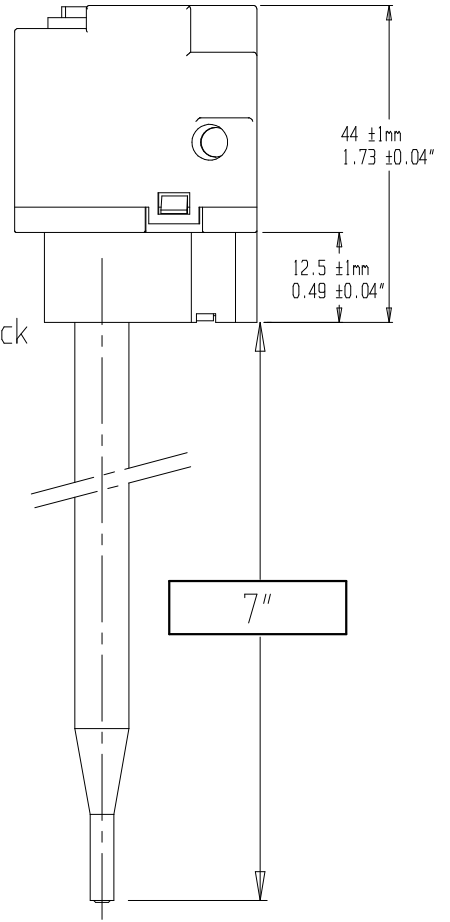
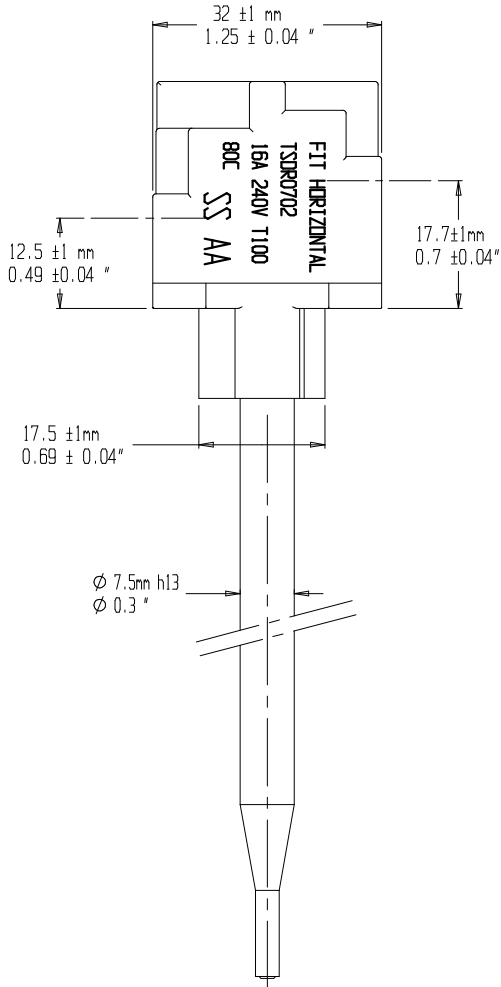


MO1

Cover color: Blue-Green

NORMS: -Approvals DEMKO:EN60730-1
EN60730-2-9



	Angular Pos / BB	Regulation	Diff.
X	0	≈ -20 °C	
Y			
Z	180	60 ± 5 °C	

Temp. Sécurité (°C)	80 ± 7
---------------------	--------

Observation :

C	mini set point specified	11/05/00	F.B	15/05/00	B R
REF	MODIFICATION	N°:00091	DATE	VISA	ACCEPTED ON VISA
G.T. : ±	SAMPLE	DESIGNATION		<i>COTHERM</i>	
Scale : 1/1	N°:	Rigid brass stem thermostat and safety single pole control switch with manuel reset			
Drawed on : 14/06/99	by : L G	CUSTOMER		<i>TSDR0702</i>	
Approved on : 14/06/99	by : B R	COTHERM UK			

THIS DRAWING IS THE EXCLUSIVE PROPERTY OF COTHERM COMPANY AND MUST NOT BE COPIED OR TRANSMITTED TO THIRD PARTIES