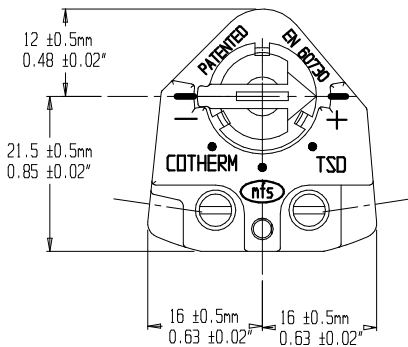
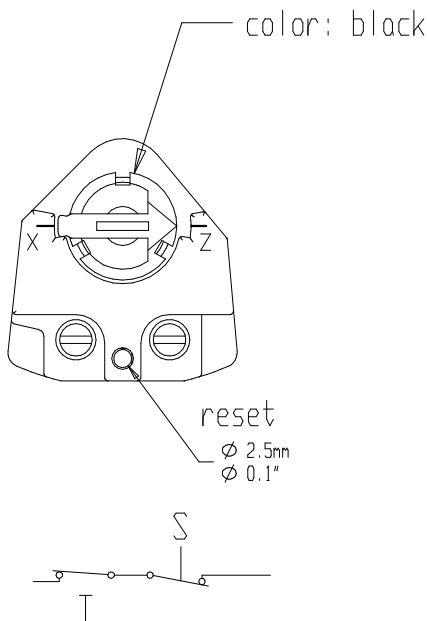
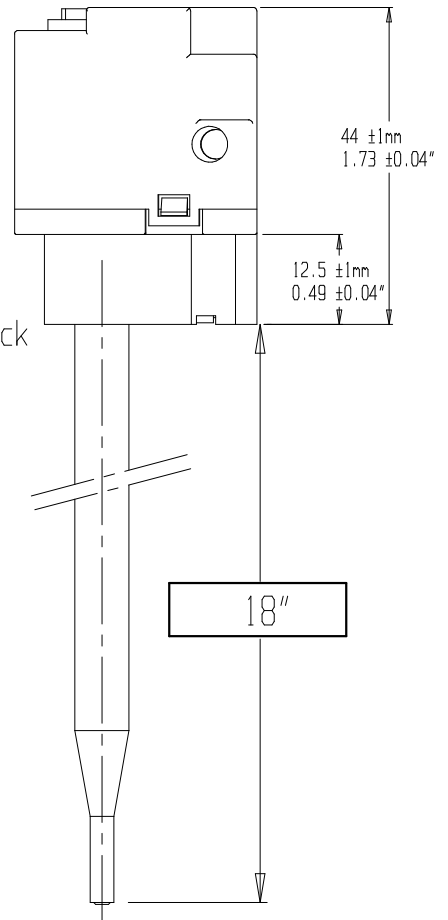
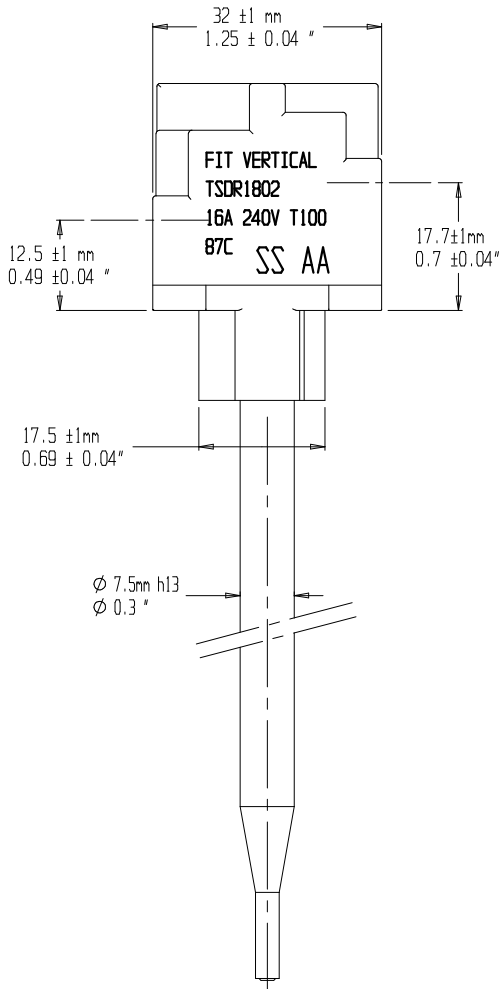


MO1

Cover color: Blue-Green

NORMS: -Approvals DEMKO:EN60730-1
EN60730-2-9



	Angular Pos / BB	Regulation	Diff.
X	0	≈ 35 °C	
Y			
Z	180	65 ± 5 °C	

Temp. Sécurité (°C) 87 ± 7

Observation :

b	mini set point specified	11/05/00	F.B	15/05/00	B R
REF	MODIFICATION	N°:00091	DATE	VISA	ACCEPTED ON VISA
G.T.: ±	SAMPLE	DESIGNATION		<i>COTHERM</i>	
Scale: 1/1	N°:	Rigid brass stem thermostat and safety single pole control switch with manuel reset			
Drawed on: 14/06/99	by: L G	CUSTOMER		TSDR1802	
Approved on: 14/06/99	by: B R	COTHERM UK			

THIS DRAWING IS THE EXCLUSIVE PROPERTY OF COTHERM COMPANY AND MUST NOT BE COPIED OR TRANSMITTED TO THIRD PARTIES