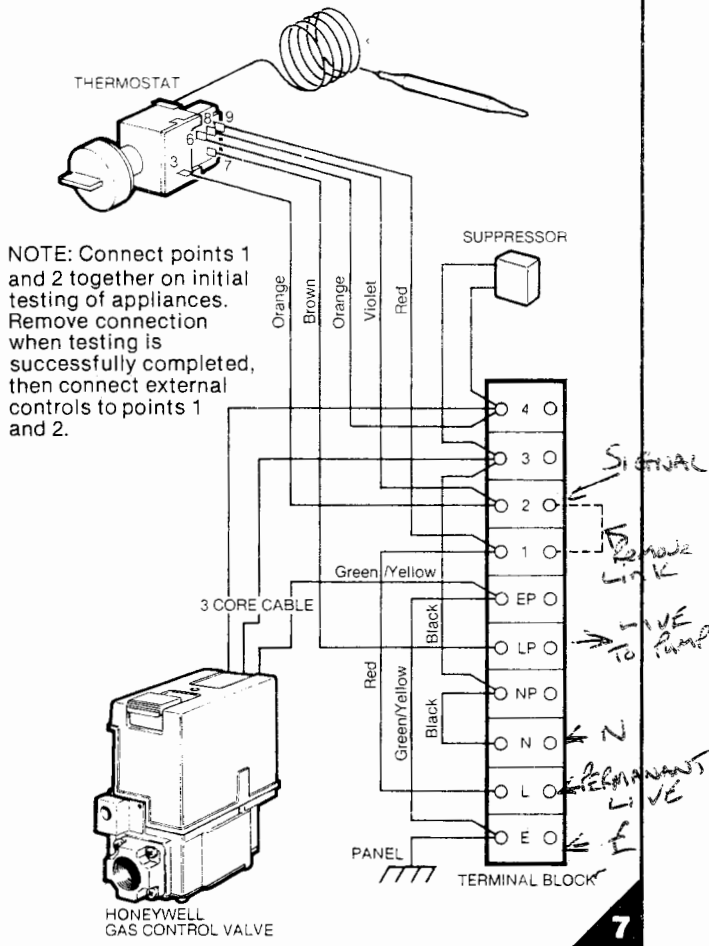


BLENHEIM 42/53 INTERNAL WIRING DIAGRAM



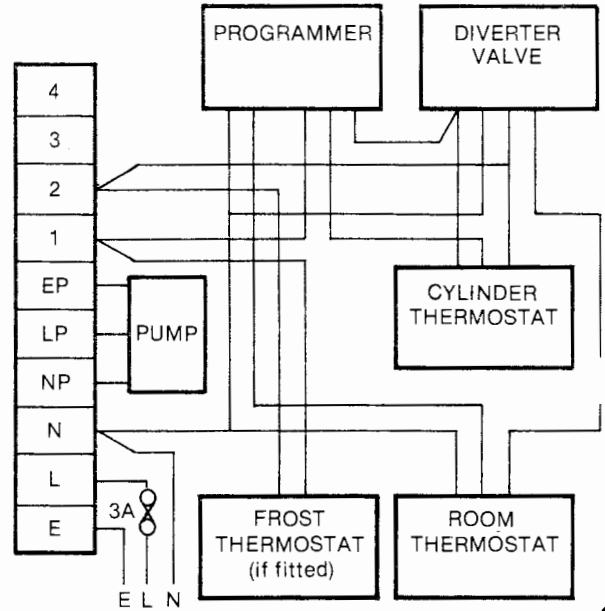
A

PUMPED CENTRAL HEATING AND DOMESTIC HOT WATER WITH DIVERTER VALVE AND BY-PASS CONNECTION

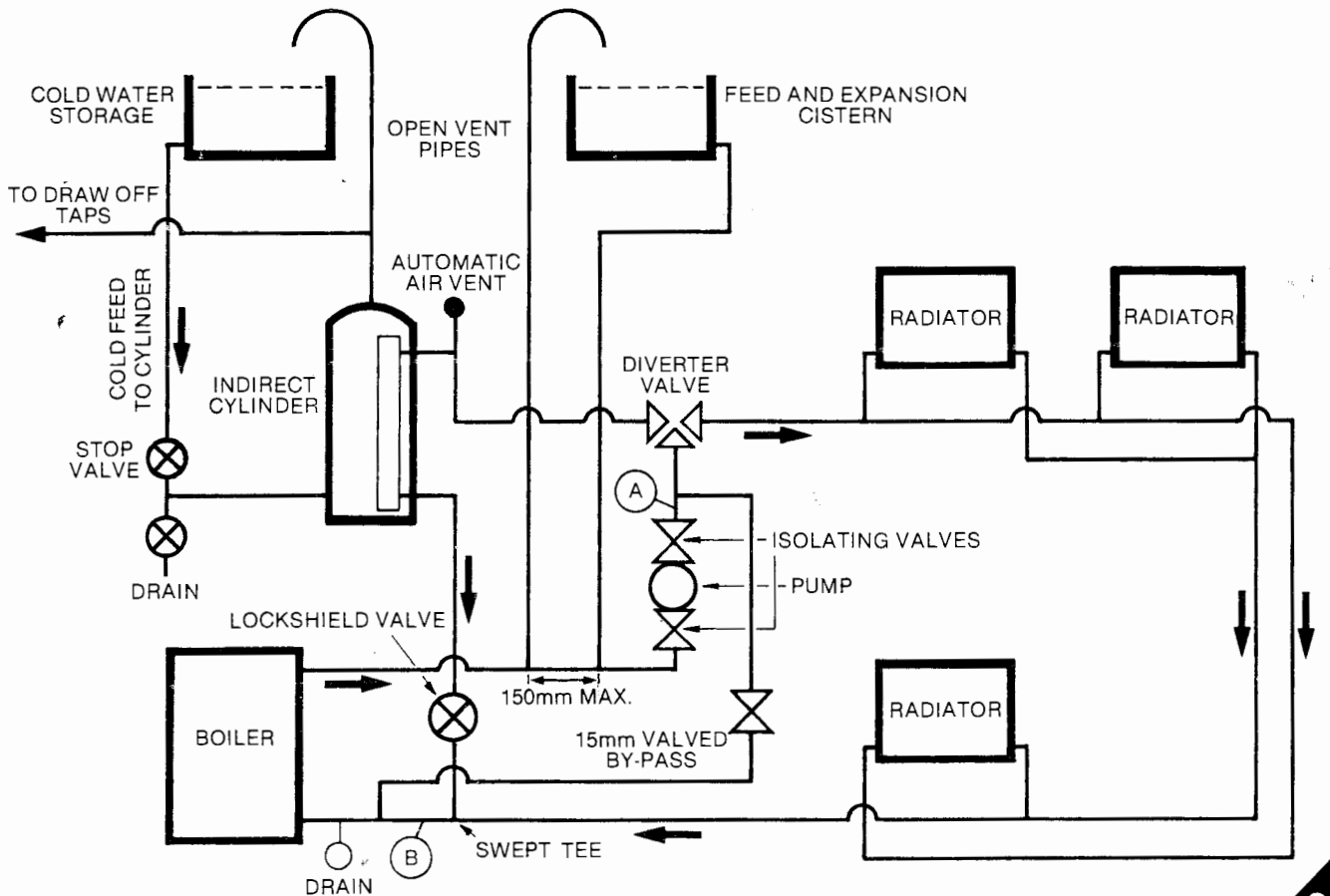
Connect external controls and mains lead as shown in Figure 8.

The by-pass valve setting is adjusted as for scheme "B".

NOTE: External controls, i.e. Time Switch and Thermostat complete a circuit between terminals 1 and 2 on boiler to fire boiler and control pump. To test boiler without controls link terminals 1 and 2.



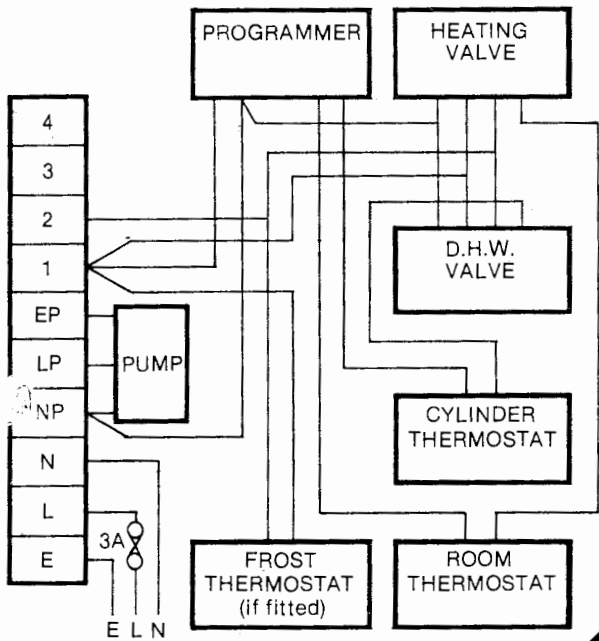
BLENHEIM 42/53 EXTERNAL CONTROL WIRING DIAGRAM



PUMPED CENTRAL HEATING AND DOMESTIC HOT WATER WITH TWO MOTORISED VALVES AND BY-PASS CONNECTION.

Connect the external controls and mains lead as shown in Figure 10.

NOTE: External controls, i.e. Time Switch and Thermostat complete a circuit between terminals 1 and 2 on boiler to fire boiler and control pump. To test boiler without controls, link terminals 1 and 2.



**BLENHIM 42/53
EXTERNAL CONTROL WIRING DIAGRAM**

10

ALL EXTERNAL WIRING MUST CONFORM TO CURRENT I.E.E. WIRING REGULATIONS.

The main supply required is 240V 50Hz fused at 3amps.

1.11.1 For isolation purposes a double pole switch or fused plug and shuttered socket outlet must be used for the mains input connection.

IT IS IMPORTANT THAT—

- (a) All connections are made to the terminal strip in the control box (Figure 7).
- (b) The incoming mains lead is connected to terminals marked E.L.N.
- (c) The pump lead is connected to terminals marked NP, LP, EP.
- (d) External controls are connected via terminals marked 1 and 2.

1.11.2 To prevent overheating in the boiler, the pump is controlled by the over-run thermostat housed in the control box. This operation will allow the residual heat to be dissipated into the system. It is essential therefore, that the pump is connected to the correct terminals. NP, LP, EP.

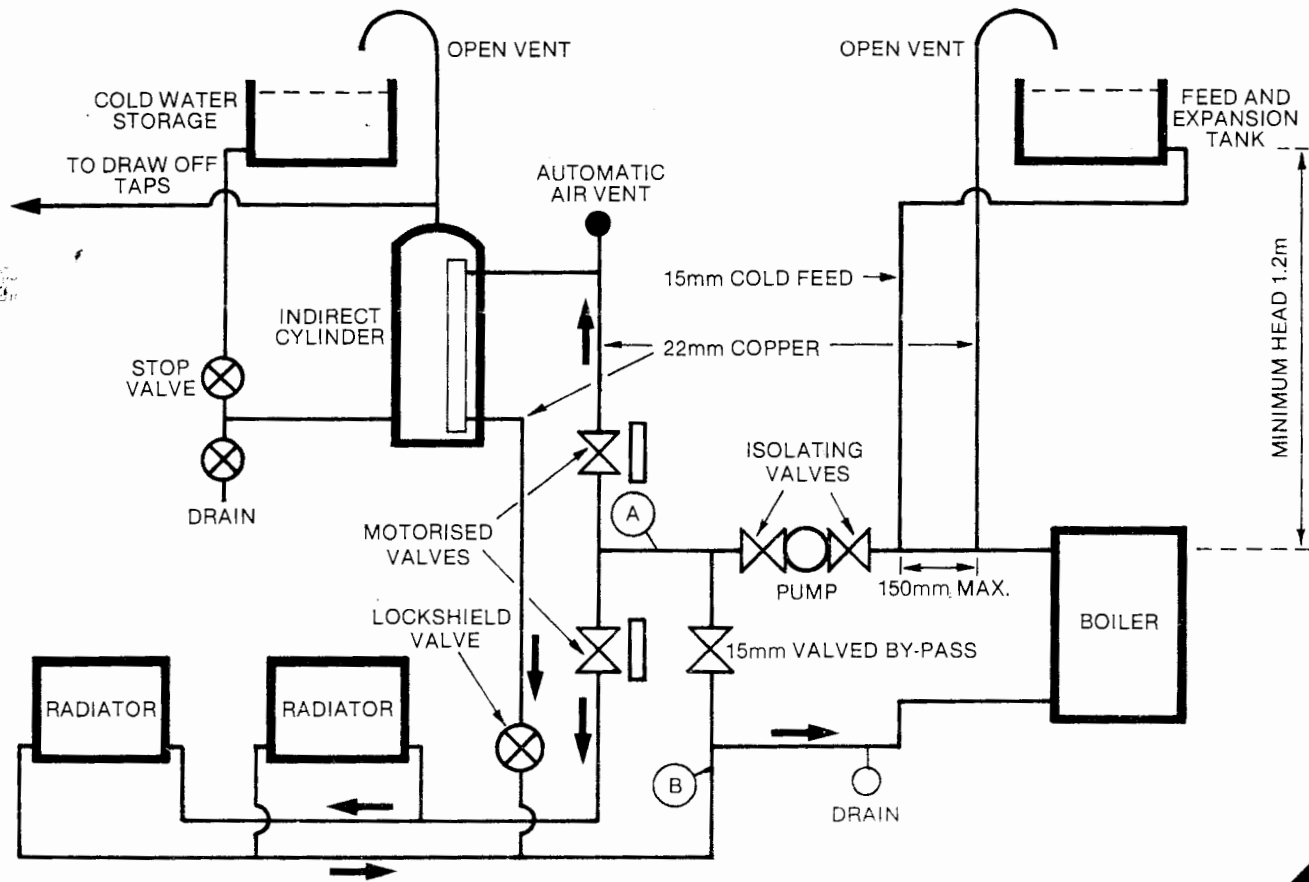
1.11.3 Remove and retain the two 4mm screws and washers from the underside of the electrical controls box cover and remove the cover.

1.11.4 Slacken off the screws securing the cable clamps. Bring the incoming cables through the grommets in the rear plate.

1.11.5 Complete the wiring (see Figures 7, 8 and 10) and re-tighten cable clamps. Ensure that the wires are not strained or under tension.

1.11.6 Replace the control box cover.

WARNING: Switch off and disconnect from the electricity supply before removing any parts for cleaning or servicing.



PIPE LAYOUT

11