

RPU RANGE

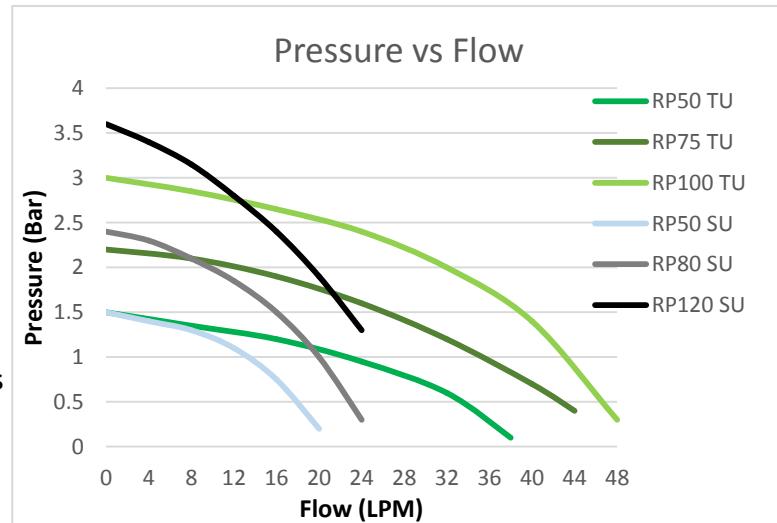
Salamander Pumps 

A high quality and extremely quiet range of shower pumps from Salamander offering increased pressure and flow. Available as twin or single ended, positive head or universal this range is ideal for boosting hot and/or cold supplies to thermostatic or manual mixer valves, supplying a wide range of shower types and shower heads, individual taps, cisterns and whole house boosting applications.



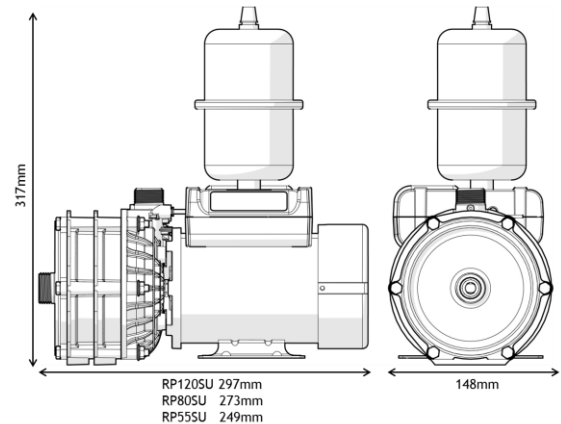
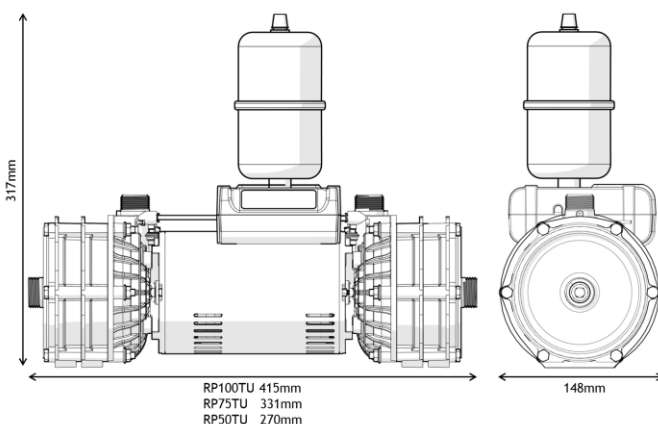
Features

- More Pressure and Flow
- LED Technology
- Impressively quiet
- Easy to install
- Continuously Rated
- Compact Salamander exclusive shaft seal
- AV Couplers included
- 15/22mm push fit flexible hoses with integral isolating valves on inlets
- Pre-wired with power cable
- Works in both positive and negative systems
- Dry run protection
- Hunting protection
- Hot water protection
- Low water starvation



- **UK Specification:** Supplied with 15/22mm pushfit x 3/4 anti-vibration flexible hoses.

- **ROI Specification:** Supplied with 21mm pushfit x 3/4 anti-vibration flexible hoses.



We're here to help before, during and after installation. Get in touch for guidance by calling our Pumpwise team or email tech@salamanderpumps.co.uk

Pumpwise
0191 516 2002

RPU Technical Specification

Pump Model		RP50 TU	RP75 TU	RP100 TU	RP55 SU	RP80 SU	RP120 SU
General	Guarantee	2 years					
Features	Pump Type	Centrifugal					
	Mechanical seal	Nitrile/ Carbon/ Ceramic					
	Inlet Isolator(s)	✓	✓	✓	✓	✓	✓
	Flexible Hoses	4	4	4	2	2	2
	Dry Run Protection	✓	✓	✓	✓	✓	✓
Performance	Pressure @ 16lpm (8lpm for singles)	1.2 Bar	1.9 Bar	2.65 Bar	1.3 Bar	2.1 Bar	3.15 Bar
	Pressure @ 8lpm (4lpm for singles)	1.35 Bar	2.1 Bar	2.85 Bar	1.4 Bar	2.3 Bar	3.4 Bar
	Pressure @ Closed Head	1.5 Bar	2.2 Bar	3.0 Bar	1.5 Bar	2.4 Bar	3.6 Bar
	Maximum Water Temperature	60°C					
	Pressure Vessel Air Pre-Charge	8 psi	14 psi	20 psi	8 psi	14 psi	20 psi
Connections	Pump connections	¾" BSP					
Flexible hoses	Connections (UK Model) <i>isolating valves on all hoses</i>	¾" Female x 22mm Push-Fit x 280mm long.					
	Connections (ROI Model) <i>isolating valves on all hoses</i>	¾" Female x 21mm Push-Fit x 280mm long.					
Motor	Type	A.C Induction Motor					
	Duty Rating	Continuously Rated					
Electrical	Power supply	230 V					
	Current (full load)	1.40 Amps	2.70 Amps	4.60 Amps	1.10 Amps	1.75 Amps	2.40 Amps
	Power consumption	325 Watts	630 Watts	1045 Watts	245 Watts	400 Watts	565 Watts
	Fuse rating	3 Amps	5 Amps		3 Amps		
	Power cable (pre-wired)	1.5 metres					
Physical	Enclosure Protection (IP Rating)	IPX2					
	Length	270mm	331mm	415mm	249mm	273mm	297mm
	Width	148mm					
	Height (Excluding Hoses)	317mm					
	Weight (Excluding Hoses)	5.56kg	6.75kg	9.91kg	6.36kg	6.69kg	7.03kg

Why Choose an RPU?

Salamander Pumps 

DRY RUN PROTECTION/ LOW WATER STARVATION

Patent GB2402444B covers Salamanders design to protect a pump from running dry. This is done by the intelligence of the pump detecting flow and pressure movement whilst it has power.

The same patent covers low water starvation. Flow and pressure movement are detected to ensure that the pump is not starved of water and will not operate with a low amount of water.

HUNTING PROTECTION

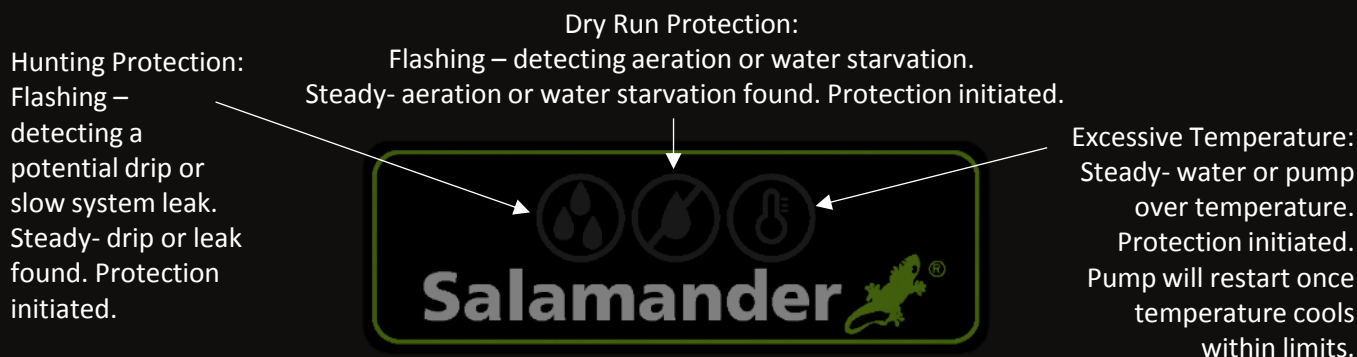
Hunting protection devised into Salamanders RPU pumps means that if the owner has left there shower or taps dripping with a slightly open outlet. After two hours the protection will kick in and the pump will stop rather than running on the drops of water coming from the outlet.

EXCESSIVE TEMPERATURE PROTECTION

If the pump exceeds its working temperature, which occurs due to a long running time, then the pump will switch itself off and will not begin to operate again until it has obtained its acceptable working temperature.

LED TECHNOLOGY

The pump has a series of LED lights engineered into the junction box lid for a visual indication as to what is exactly wrong with the pump. Any red LED shows the pump has been switched off. See diagram.



10MM SELF-HEALING SEAL

Salamanders exclusive compact seal which has the ability to heal itself if a leak originates from that area. The seal will prevent this leak happening again so that the owner does not find themselves with a re-occurring problem.