



SPARE PARTS EXPLODED VIEW
GAS WALL BOILERS

Model

GENUS 27 BFFI PLUS

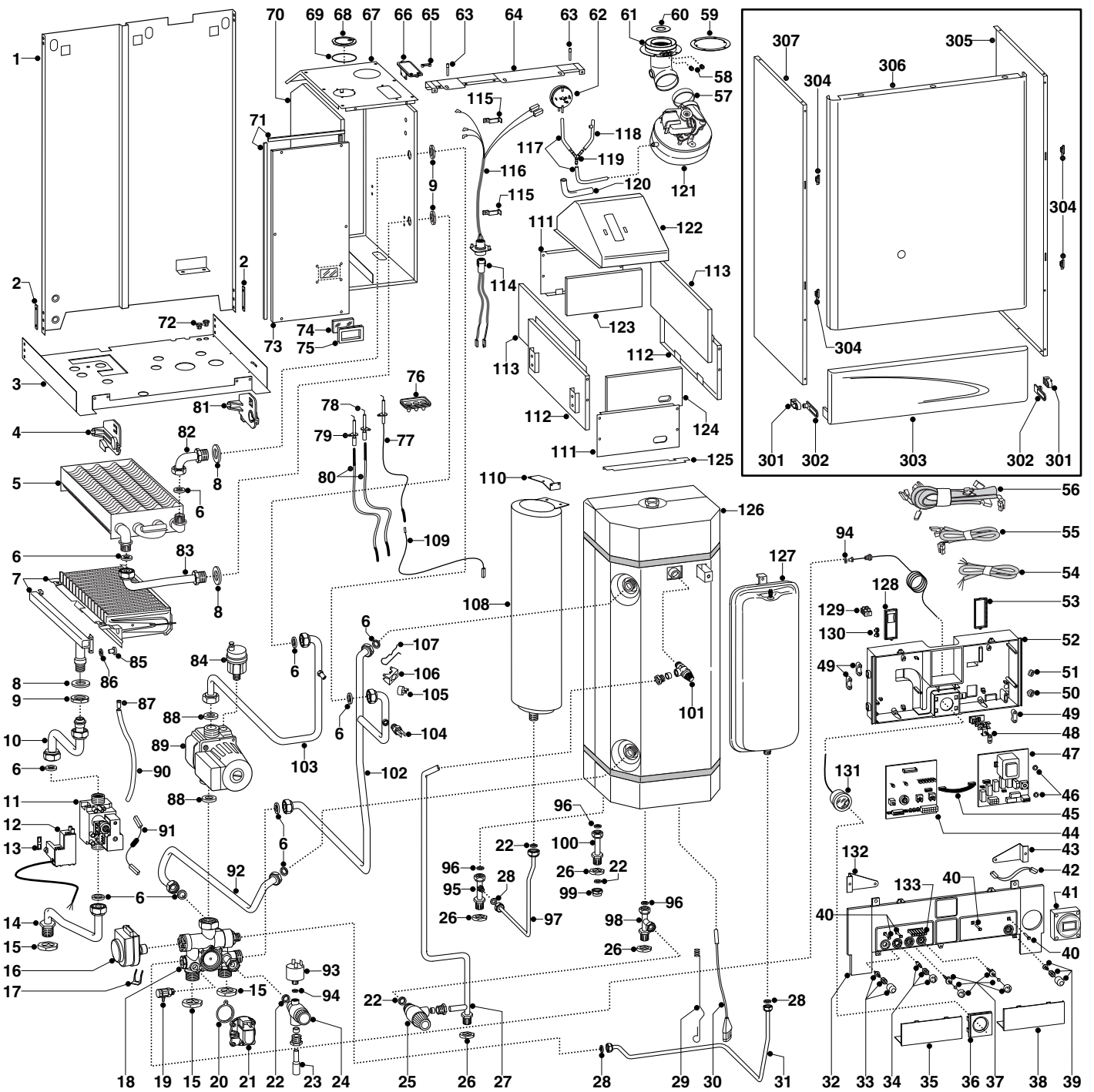
Edition 4

Current from Serial No: 2320317800001 to: -----



Add to Edition 3

ER2003210020004001



ER2003210020004001

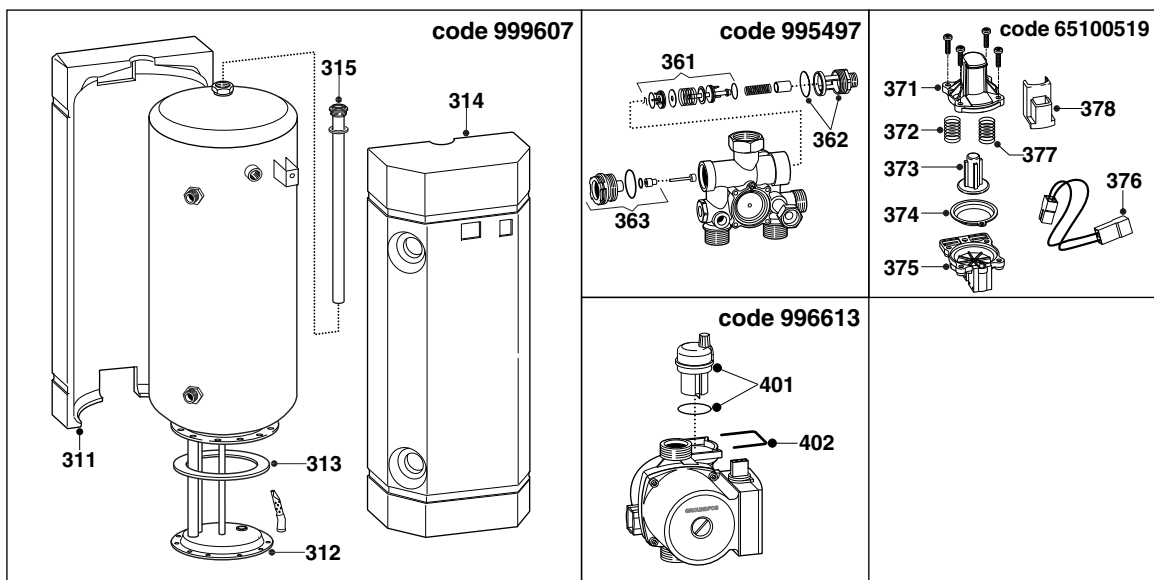
MODEL	CODE	SERIAL NO. VALIDITY	REF.
GENUS 27 BFFI PLUS NG	535008	2320317800001	A
GENUS 27 BFFI PLUS LPG	535009	2320317800001	B

PART.	CODE	DESCRIPTION	REF.	NOTE
1	-----	Frame		11
2	-----	Boiler frame spacer		11
3	-----	Hydraulic group support		11
4	999164	Control panel bracket holder (L.H.)		
5	573435	Main exchanger		
6	573520	Gasket 3/4" (25 pcs)		
7	572625	Burner 15 ramp (natural gas)	A	
7	572626	Burner 15 ramp (LPG)	B	
8	569413	Gasket 37x26x2 (25 pcs)		
9	569446	Lock Nut (Brass) 3/4"		
10	998701	Pipe (gas valve/burner)		
11	65100516	Gas valve (SIT 845 SIGMA)		
12	65100514	Spark generator		
13	574279	Gasket (spark generator) (5 pcs)		
14	998890	Pipe (gas inlet)		
15	573523	Lock nut 3/4" (5 pcs)		
16	997147	Motor (3-Way valve)		
17	997077	Fixing clip (motor)		
18	995497	Hydraulic group		
19	573727	Drain valve		
20	571547	Diaphragm (main flow switch)		
21	65100519	Main circuit flow switch kit with microswitch		
22	573528	Gasket 1/2" (25 pcs)		
23	573190	Drainage pipe		
24	569292	Safety valve (3 bar)		
25	573139	Expansion relief valve 6 bar		
26	573530	Lock nut 1/2" (5 pcs)		
27	995332	Pipe (cylinder discharge)		
28	573521	Gasket 3/8" (25 pcs)		
29	990483	Spring (D.H.W. probe)		
30	573015	Temperature probe (D.H.W.)		
31	995457	Pipe (C.H. pressure vessel)		
32	999472	Control panel (front)		
33	571982	Reset Button		
34	571983	Summer/Winter selector kit		
35	571627	Inspection cover (L.H.)		
36	571622	Pressure gauge cover		
37	571984	Control knob kit		
38	571623	Inspection Cover (R.H.)		
39	998015	On/off push button kit		
40	571550	Power Indicator L.E.D. lens		
41	569538	Time clock (digital)		
42	573101	Cable (time clock)		
43	999202	Control panel holder (R.H.)		
44	953083	P.C.B. (EB C-MI/FFI)		
45	952610	Cable (P.C.B.)		
46	569711	Nylon bush (10mm - 20 pcs)		
47	952935	Printed circuit board (E A-FFI/P)		
48	-----	Terminal board		11
49	571562	Cable clamp		
50	569458	Cable holder		
51	573534	Cable holder (5 pcs)		
52	-----	Control panel		11
53	571967	Cable holder cover (R.H.)		
54	998012	Cable (power supply)		
55	999427	Low voltage wiring		
56	999300	High voltage wiring		
57	573343	Gasket (fan)		
58	573326	Flue intake plug		
59	573337	Gasket (flue manifold) (5 pcs)		
60	998087	Coaxial diaphragm		
61	999682	Flue (exhaust manifold / header)		
62	998484	Air pressure switch		
63	998426	Pivot		
64	999176	Casing support bracket		
65	573329	Pressure intake cover		

PART.	CODE	DESCRIPTION	REF.	NOTE
66	997203	Support plate (air pressure switch)		
67	999065	Cover (sealed chamber)		
68	573330	Air return cover		
69	573865	Flue gasket		
70	-----	Sealed chamber		11
71	65100879	Seal (combustion chamber - 10x6)		
72	570772	Cable holder		
73	998392	Panel (front - sealed chamber)		
74	998075	Sight glass		
75	998076	Gasket (sight glass)		
76	998147	Ignition electrode cable rubber		
77	573441	Electrode (Detection)		
78	569560	Electrode (Ignition R.H.)		
79	569561	Electrode (Ignition L.H.)		
80	998724	Ignition electrode cable		
81	999163	Control panel bracket holder (R.H.)		
82	570584	Pipe (return - main exchanger)		
83	570585	Pipe (flow - main exchanger)		
84	564254	Auto air vent		13
85	570248	Burner jet (NG 1.25) (10 pcs)	A	
85	570251	Burner jet (LPG 0.72) (10 pcs)	B	
86	572138	Burner jet washer (20 pcs)		
87	573325	Rivet (20 pcs)		
88	569387	Gasket 1" (25 pcs)		
89	996613	Kit for vert. 1" pump attachments+jolly		
90	573576	Compensation tube		
91	998008	Cable (resistive)		
92	998526	Pipe (return cylinder)		
93	995903	Low water pressure switch		
94	569390	Gasket 1/4" (25 pcs)		
95	995471	Pipe (D.H.W. cylinder - outlet) with union		
96	999408	Gasket 1/2" (25 pcs)		
97	999413	Pipe (D.H.W. pressure vessel)		
98	995350	Pipe (cold water inlet)		
99	570571	1/2" brass cap		
100	995331	Pipe (secondary return)		
101	573140	Temperature/pressure valve(7 bar)		
102	65100548	Pipe (C.H. flow)		
103	999431	Pipe (pump to main heat exchanger)		
104	998458	Temperature probe (D.H.W.)		
105	996065	Thermostat (overheat- 103°C)		
106	997224	Mounting bracket (overheat thermostat)		
107	998043	Fixing spring (overheat thermostat)		
108	999403	Expansion vessel (D.H.W.)		
109	571657	Cable (detection electrode/P.C.B.)		
110	999419	Support bracket (D.H.W. vessel)		
111	570553	Panel (combustion chamber front)		
112	999161	Panel (combustion chamber - side)		
113	998136	Panel (insulation - side)		
114	999178	Cable (fan/P.C.B.)		
115	998108	Cable clamp		
116	998725	Cable (fan/air pressure switch)		
117	569662	Silicone pipe		
118	571819	Silicone pipe (negative signal)		
119	573327	"Y" piece (air pressure)		
120	991788	Insulation pipe-joint		
121	998806	Fan		
122	998891	Flue hood		
123	998148	Panel (insulation - rear)		
124	998133	Panel (insulation - front)		
125	572972	Air diffuser		
126	999607	D.H.W. cylinder 60 L		
127	995479	Expansion vessel		
128	571968	Cable cover (L.H.)		
129	573091	Terminal board (three pole)		
130	569720	Blind grommet		

PART.	CODE	DESCRIPTION	REF.	NOTE
131	571649	Pressure gauge		
132	999203	Control panel holder (L.H.)		
133	571551	Temperature L.E.D. lens bank		
301	573360	Hinge		
302	998009	Hinge arm		
303	999948	Control panel cover		
304	574302	Casing support bracket (Plastic) (4 pcs)		
305	999169	Case panel (R.H. side)		
306	999114	Panel (front case)		
307	999170	Case panel (L.H. side)		
501	569281	Burner jet 1.25 full kit (NG)		12
502	569282	Burner jet 0.72 full kit (LPG)		12

NOTE	DESCRIPTION
11	Not supplied as a spare part
12	Not illustrated
13	Code of original circulation pump



PART.	CODE	DESCRIPTION	REF.	NOTE
311	570534	Cylinder polyurethane shell (rear)		
312	570441	Cylinder flange		
313	570440	Cylinder flange (stainless steel)		
314	570535	Cylinder polyurethane shell (front)		
315	469004	Anode (plug L450 3/4" NPT)		
361	995930	Diverter valve assembly		
362	998973	3-Way spring kit (D.H.W.)		
363	998013	Actuator bush (C.H.)		
371	571775	D.H.W. pressure switch top cover		
372	571771	Spring (main flow switch) (10 pcs)		
373	571772	Magnet (main flow switch)		
374	572170	Diaphragm (pressure switch)		
375	571777	D.H.W. pressure switch bottom cover		
376	998468	Pressure switch extension cable		
377	571776	Spring (inox)		
378	998172	Microswitch (main flow switch)		
401	995367	Auto air vent complete with o-ring		14
402	995368	U-clip (auto air vent)		

NOTE	DESCRIPTION
14	Code of standardised circulation pump